

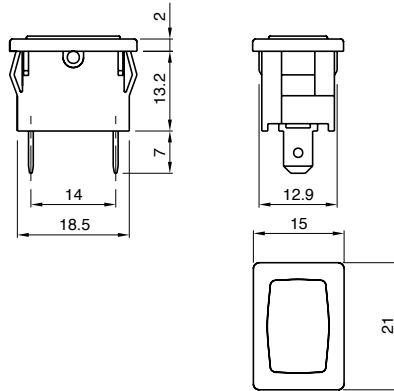
# A5



<b>FUNCTIONS</b>	Indicator light A1 series
<b>AMBIENT TEMPERATURE</b>	125 °C
<b>GWT</b>	850 °C
<b>GWT NO FLAME (&lt;2sec)</b>	650 °C

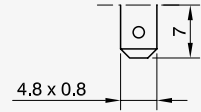
**A 5**

**DRAWING**



**TERMINAL**

**1**



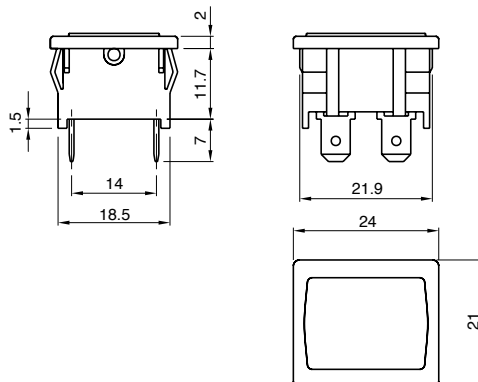
# A7



<b>FUNCTIONS</b>	Indicator light A4 series
<b>AMBIENT TEMPERATURE</b>	125 °C
<b>GWT</b>	850 °C
<b>GWT NO FLAME (&lt;2sec)</b>	650 °C

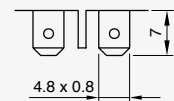
**A 7**

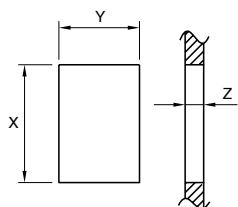
**DRAWING**



**TERMINAL**

**1**





Z	Y		X	
0,7 ... 1,25	13,0	±0,1	19,0	+0,2 0
1,25 ... 2,0	13,0	±0,1	19,3	+0,2 0
2,0 ... 3,0	13,0	±0,1	19,6	+0,2 0

A
5





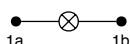
0
0
0
0
0

TERMINAL   FUNCTION   RATING   BODY COLOUR   LENS COLOUR



**FUNCTION**

**1**



**RATING**

**2**

200 - 250 VAC  
T125 °C  
EN 60335-1

200 - 250 VAC  
T65 °C  
UL 496  
CSA C22.2



**BODY COLOUR**

**1**

black

**X**



custom



**LENS COLOUR**

**ILLUMINATED** ✨

**G**



red

**H**



orange

**E**

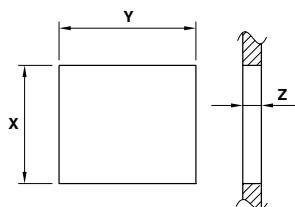


green

**X**



custom



Z	Y		X	
0,7 ... 1,25	22,0	±0,1	19,0	+0,2 0
1,25 ... 2,0	22,0	±0,1	19,3	+0,2 0
2,0 ... 3,0	22,0	±0,1	19,6	+0,2 0

A
7





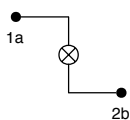
0
0
0
0
0

TERMINAL   FUNCTION   RATING   BODY COLOUR   LENS COLOUR



**FUNCTION**

**1**



**RATING**

**2**

200 - 250 VAC  
T125 °C  
EN 60335-1

200 - 250 VAC  
T65 °C  
UL 496  
CSA C22.2



**BODY COLOUR**

**1**

black

**X**



custom



**LENS COLOUR**

**ILLUMINATED** ✨

**G**



red

**H**



orange

**E**



green

**X**



custom

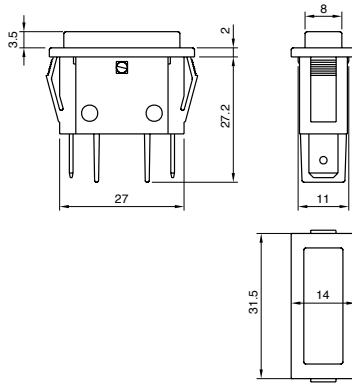
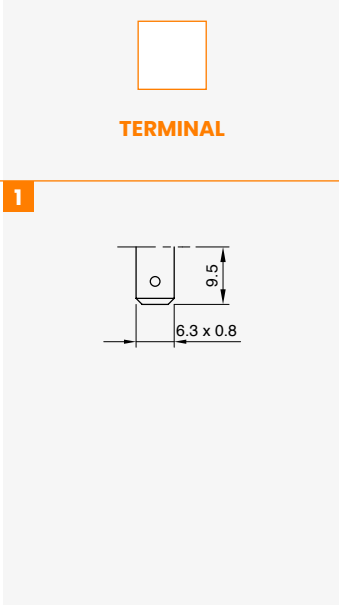


# B5

<b>FUNCTIONS</b>	Indicator light SX81 series
<b>AMBIENT TEMPERATURE</b>	120 °C
<b>GWT</b>	850 °C
<b>GWT NO FLAME (&lt;2sec)</b>	650 °C



DRAWING

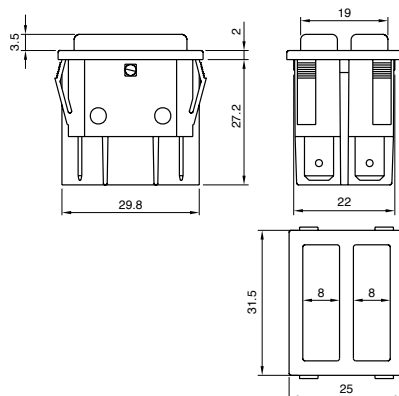
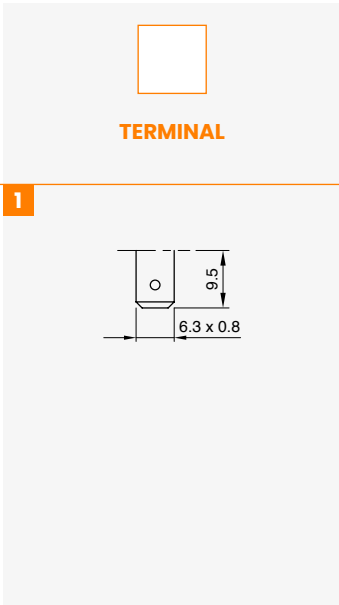


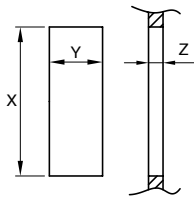
# B6

<b>FUNCTIONS</b>	Indicator light SX83 series
<b>AMBIENT TEMPERATURE</b>	120 °C
<b>GWT</b>	850 °C
<b>GWT NO FLAME (&lt;2sec)</b>	650 °C



DRAWING



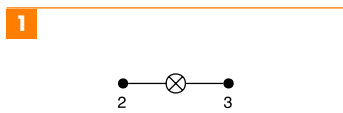


Z	Y		X	
0,75 ... 1,25	11,0	+0,2 0	30,0	0 -0,1
1,25 ... 2,0	11,0	+0,2 0	30,2	0 -0,1
2,0 ... 3,0	11,0	+0,2 0	30,6	0 -0,2
3,0 ... 4,0	11,0	+0,2 0	30,8	0 -0,2

**B** **5**       **0** **0** **0** **0** **0** **0**

TERMINAL    FUNCTION    RATING    BODY COLOUR    LENS COLOUR

**FUNCTION**



**RATING**

**2**

200 - 250 VAC  
T120 °C  
EN 60335-1

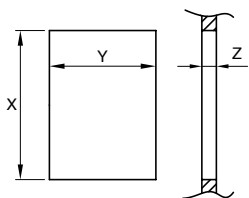
200 - 250 VAC  
T65 °C  
UL 496  
CSA C22.2

**BODY COLOUR**

- 1**  black
- X**  ? custom

**LENS COLOUR**

- ILLUMINATED** ✨
- G**  red
- H**  orange
- E**  green
- X**  ? custom

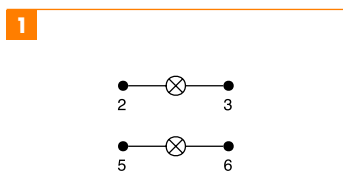


Z	Y		X	
0,75 ... 1,25	22,0	+0,2 0	30,0	0 -0,1
1,25 ... 2,0	22,0	+0,2 0	30,2	0 -0,1
2,0 ... 3,0	22,0	+0,2 0	30,6	0 -0,2
3,0 ... 4,0	22,0	+0,2 0	30,8	0 -0,2

**B** **6**        **0** **0** **0** **0** **0**

TERMINAL    FUNCTION    RATING    BODY COLOUR    LENS COLOUR L    LENS COLOUR R

**FUNCTION**



**RATING**

**2**

200 - 250 VAC  
T120 °C  
EN 60335-1

200 - 250 VAC  
T65 °C  
UL 496  
CSA C22.2

**BODY COLOUR**

- 1**  black
- X**  ? custom

**LENS COLOUR**

- ILLUMINATED** ✨
- G**  red
- H**  orange
- E**  green
- X**  ? custom



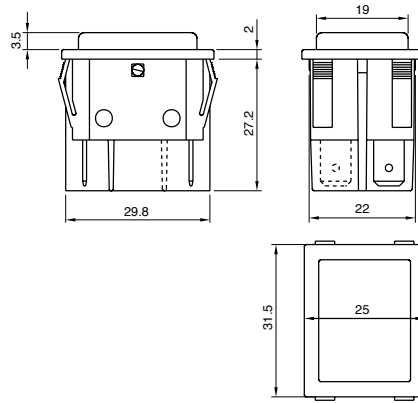
# B7



<b>FUNCTIONS</b>	Indicator light SX82 series
<b>AMBIENT TEMPERATURE</b>	120 °C
<b>GWT</b>	850 °C
<b>GWT NO FLAME (&lt;2sec)</b>	650 °C

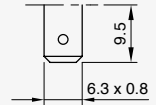
**B 7**

**DRAWING**



**TERMINAL**

**1**



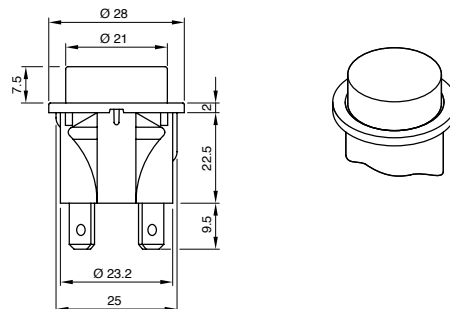
# SP60 INDICATOR LIGHT



<b>FUNCTIONS</b>	Indicator light SP60 series
<b>AMBIENT TEMPERATURE</b>	120 °C
<b>GWT</b>	850 °C
<b>GWT NO FLAME (&lt;2sec)</b>	650 °C

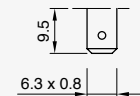
**S P 6 0**

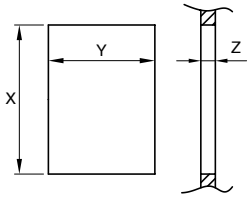
**DRAWING**



**TERMINAL**

**1**





Z	Y		X	
0,75 ... 1,25	22,0	+0,2 0	30,0	0 -0,1
1,25 ... 2,0	22,0	+0,2 0	30,2	0 -0,1
2,0 ... 3,0	22,0	+0,2 0	30,6	0 -0,2
3,0 ... 4,0	22,0	+0,2 0	30,8	0 -0,2

B
7





0
0
0
0
0
0

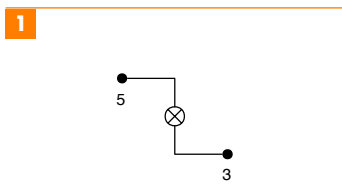
TERMINAL    FUNCTION    RATING    BODY COLOUR    LENS COLOUR

**FUNCTION**

**RATING**

**BODY COLOUR**

**LENS COLOUR**



**2**

200 - 250 VAC  
 T120 °C  
 EN 60335-1

200 - 250 VAC  
 T65 °C  
 UL 496  
 CSA C22.2

**1**  

black

**X** ?

custom

**ILLUMINATED** ✨

**G**

red

**H**

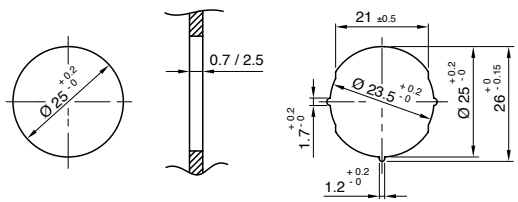
orange

**E**

green

**X** ?

custom



S
P
6
0





0
0
0
0

TERMINAL    FUNCTION    RATING    BODY COLOUR    LENS COLOUR

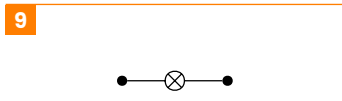
**FUNCTION**

**RATING**

**BODY COLOUR**

L

R  
**LENS COLOUR**



**2**

220 VAC  
 T120 °C  
 EN 60335-1

220 VAC  
 T65 °C  
 UL 496  
 CSA C22.2

**1**  

black

**X** ?

custom

**ILLUMINATED** ✨

**G**

red

**H**

orange

**E**

green

**X** ?

custom