



**CB**



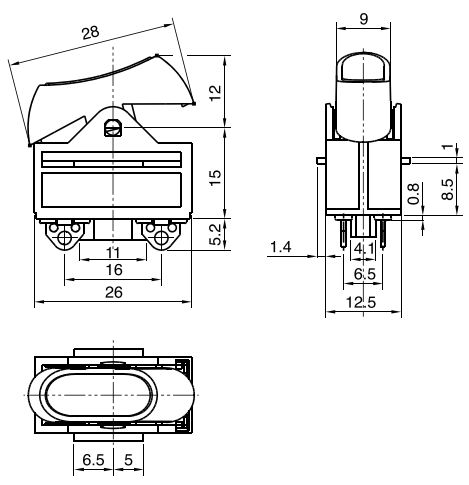
<b>TYPICAL APPLICATIONS</b>	Hairdryers
<b>FUNCTIONS</b>	■ 2x SPST (3 positions 0-0/1/1-1)
<b>CYCLE No.</b>	50.000
<b>CUT OUT</b>	See drawing
<b>AMBIENT TEMPERATURE</b>	85 °C
<b>GWT</b>	850 °C

**C B**

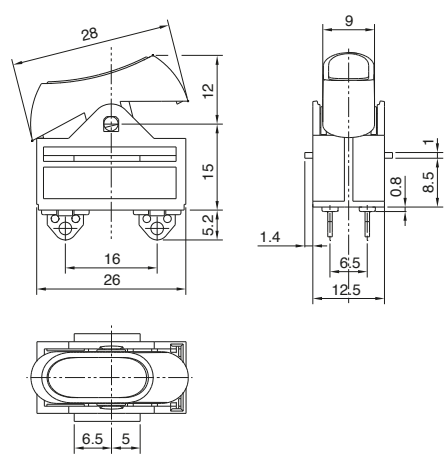
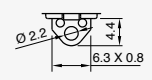
**DRAWING**



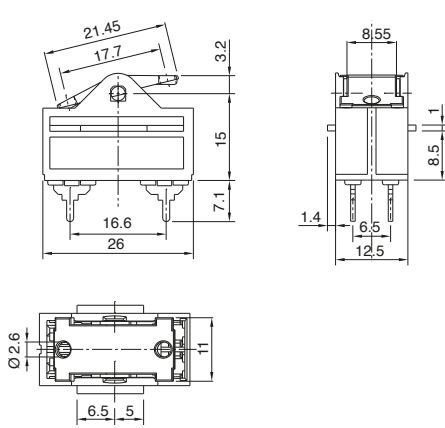
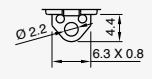
**TERMINAL**



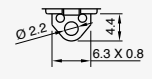
**K**



**M**

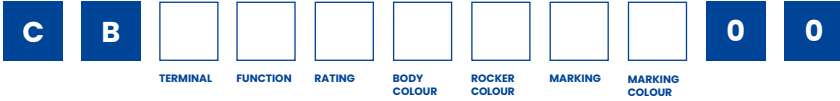
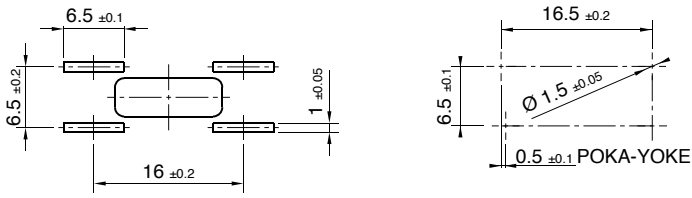


**G**



**H**





FUNCTION	RATING	BODY COLOUR	ROCKER COLOUR	MARKING	MARKING COLOUR
<b>1</b>   	<b>2</b> 16 A / 250 VAC 10 A / 250 VAC - 5E4 T85/55 °C µ disconnection EN 61058-1  16 A GP / 250 VAC 10 A GP / 250 VAC - 3E4 T105 °C µ disconnection UL 61058-1	<b>1</b> brown	Terminal K-M-N <b>0</b> none <b>1</b> black <b>5</b> grey <b>9</b> red <b>X</b> custom  Terminal G-H <b>1</b> brown	Terminal K-M-N <b>0</b>  <b>A</b>  <b>D</b>  <b>E</b>  <b>X</b>	Terminal K-M-N <b>0</b> none <b>1</b> black <b>2</b> white <b>7</b> light blue <b>8</b> red <b>X</b> custom  Terminal G-H <b>0</b> none