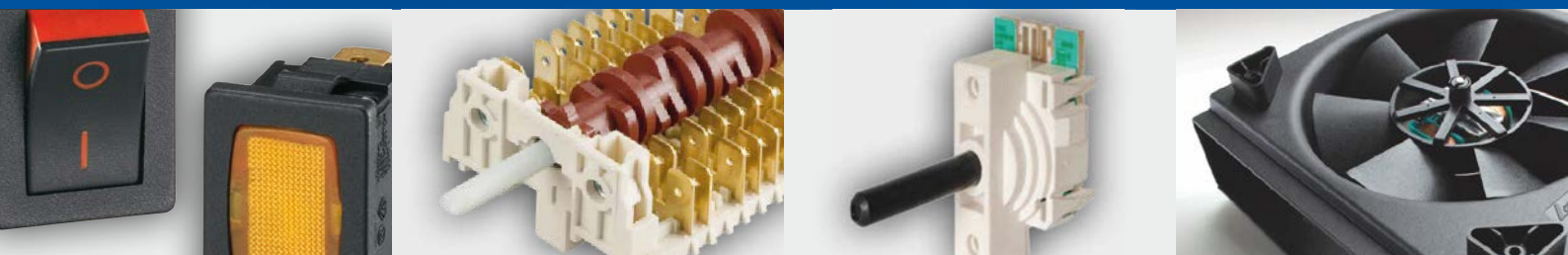


30 **CVEREL**

THE WORLD IN A CLICK



ROCKER SWITCHES



Dreefs

 **SIGNAL LUX**

givem

M MOLVENO

 **KAUTT & BUX**

Rocker Switches

01



A1

42



SX81

60



TECNO

46



SX82

64



A8

48



SX83

66



GP

50



A2

52



A4

54



B10

58



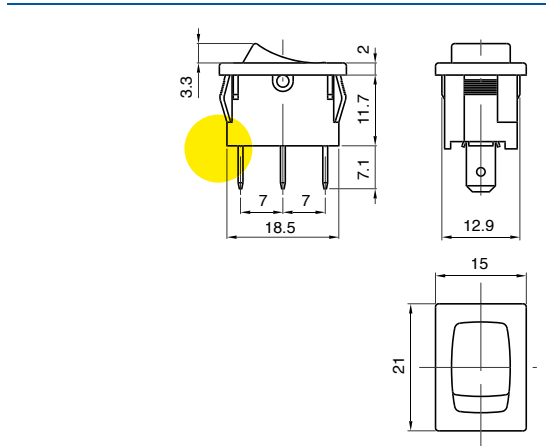
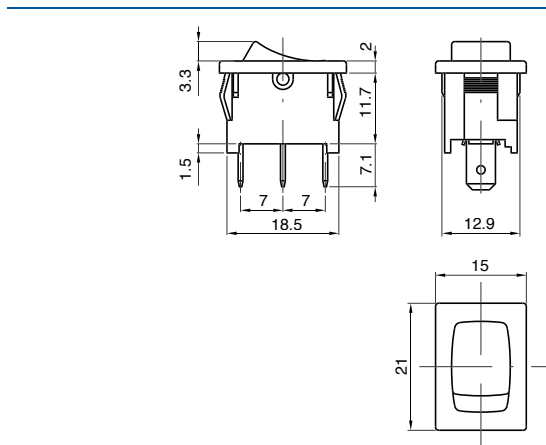
A1

TYPICAL APPLICATIONS	Small appliances
FUNCTIONS	<ul style="list-style-type: none"> ■ SPST, momentary or not ■ SPDT, momentary or not
CYCLE No.	50.000
CUT OUT	19x13 mm
AMBIENT TEMPERATURE	125 °C
GWT	850 °C
GWT NO FLAME (<2sec)	750 °C on demand

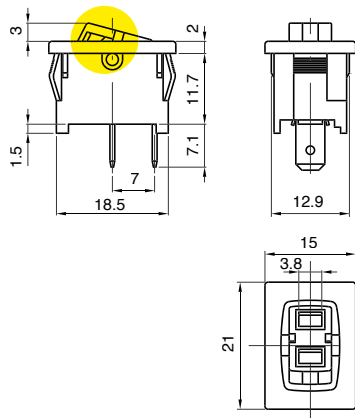


A 1

DRAWING

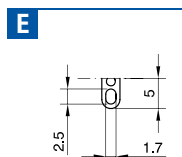
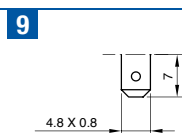
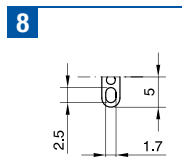
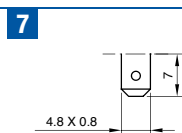
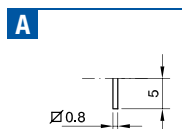
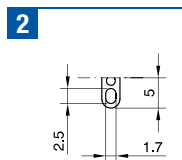
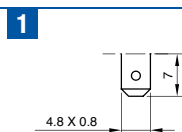


CUSTOMIZABLE



?

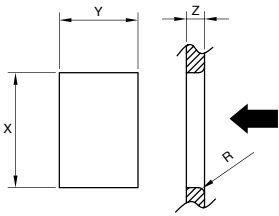
TERMINAL



A1PRT



WATERPROOF CAP



Z	Y	X
0,75 ... 1,25	13,0 ±0,1	19,0 ±0,1
1,25 ... 2,0	13,0 ±0,1	19,3 ±0,2
2,0 ... 3,0	13,0 ±0,1	19,6 ±0,2

TERMINAL	FUNCTION	RATING	BODY COLOUR	ROCKER COLOUR	MARKING COLOUR	MARKING
A	1					0 0 0

?	?	?	?	?	?	0 0 0
---	---	---	---	---	---	-------

FUNCTION RATING BODY COLOUR ROCKER COLOUR MARKING COLOUR MARKING

1

3 Terminal 1 - 2 - 9 - E

4 Terminal 1 - 2 - 7 - 8

A Terminal 1 - 2 - 7 - 8

B Terminal 1 - 2

2

Terminal 1 - 2
Function 4 - A - B

6 (2) A / 250 VAC
3 (1) A / 250 VAC - 5E4
T125/55 °C - T125 °C
EN 61058

6 A - 125 / 250 VAC
1/10 HP - 125 VAC
1/6 HP - 250 VAC
T105 °C
UL 1054
CSA C22.2

3

Terminal 1 - 2 - 7 - 8 - 9 - A - E
Function 1 - 3

10 (4) A / 250 VAC
6 (6) A / 250 VAC
6 (4) A / 250 VAC - 5E4
T125/55 °C - T125 °C
EN 61058

10 A - 125 / 250 VAC
1/3 HP - 125 VAC
1/2 HP - 250 VAC
T105 °C
UL 1054
CSA C22.2

7

Terminal 7 - 8
Function 4 - A

10 (2) A / 250 VAC
6 (1) A / 250 VAC - 5E4
T125/55 °C - T125 °C
EN 61058

10 A - 125 / 250 VAC
1/10 HP - 125 VAC
1/6 HP - 250 VAC
T105 °C
UL 1054
CSA C22.2

B

Terminal 1 - 2 - 9 - E
Function 1 - 3

13 (4) A / 250 VAC
6 (6) A / 250 VAC - 5E4
T125/55 °C - T125 °C
EN 61058

15 A / 125 VAC
10 A / 250 VAC
1/3 HP - 125 VAC
1/2 HP - 250 VAC
T105 °C
UL 1054
CSA C22.2

1 black

2 white

9 red

X custom

1 black

2 white

9 red

X custom

0 none

1 black

2 white

5 grey

7 light blue

8 red

9 orange

X custom

0

1

2

3

4

5

6

8

C

F

G

Z

R

X



A1

TYPICAL APPLICATIONS	Small appliances
FUNCTIONS	<ul style="list-style-type: none"> ■ SPST, illuminated or not ■ SPDT ■ SPCO
CYCLE No.	50.000
CUT OUT	19x13 mm
AMBIENT TEMPERATURE	125 °C
GWT	850 °C
GWT NO FLAME (<2sec)	750 °C on demand



A 1

DRAWING

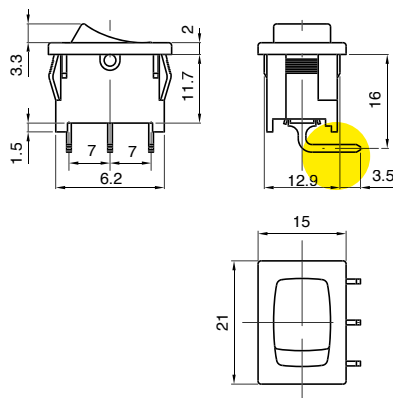
?

TERMINAL

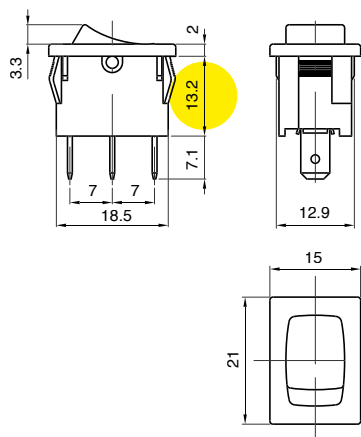
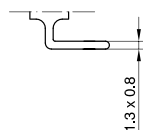


A1PRT

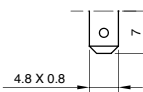
WATERPROOF CAP



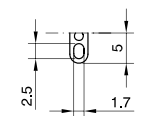
C

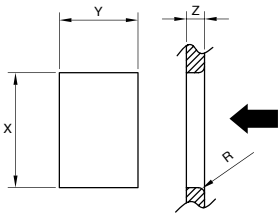


1



2





Z	Y	X
0,75 ... 1,25	13,0 ±0,1	19,0 ±0,1
1,25 ... 2,0	13,0 ±0,1	19,3 ±0,2
2,0 ... 3,0	13,0 ±0,1	19,6 ±0,2

TERMINAL	FUNCTION	RATING	BODY COLOUR	ROCKER COLOUR	MARKING COLOUR	MARKING
A	1					0 0 0

?	?	?	?	?	?	0 0 0
---	---	---	---	---	---	-------

FUNCTION RATING BODY COLOUR ROCKER COLOUR MARKING COLOUR MARKING

1 Terminal C

3 Terminal C

5 Terminal 1 - 2

6 Terminal 1 - 2

3

Terminal 1 - 2 - C
Function 1 - 3 - 6
10 (4) A / 250 VAC
6 (6) A / 250 VAC
6 (4) A / 250 VAC - 5E4
T125/55 °C - T125 °C
EN 61058

10 A - 125 / 250 VAC
 1/3 HP - 125 VAC
 1/2 HP - 250 VAC
 T105 °C
 UL 1054
 CSA C22.2

6

Terminal 1 - 2
Function 5
10 (2) A / 250 VAC
6 (1) A / 250 VAC - 5E4
T125/55 °C - T125 °C
µ disconnection
EN 61058

6 A - 125 / 250 VAC
 1/8 HP - 125 VAC
 1/6 HP - 250 VAC
 T105 °C
 UL 1054
 CSA C22.2

B

Terminal 1
Function 6
13 (4) A / 250 VAC
6 (6) A / 250 VAC - 5E4
T125/55 °C - T125 °C
EN 61058

15 A / 125 VAC
 10 A / 250 VAC
 1/3 HP - 125 VAC
 1/2 HP - 250 VAC
 T105 °C
 UL 1054
 CSA C22.2

Terminal 1 - 2
Function 5
13 (4) A / 250 VAC
6 (6) A / 250 VAC - 5E4
T125/55 °C - T125 °C
µ disconnection
EN 61058

15 A / 125 VAC
 10 A / 250 VAC
 1/3 HP - 125 VAC
 1/2 HP - 250 VAC
 T105 °C
 UL 1054
 CSA C22.2

1 black

2 white

9 red

X custom

1 black

2 white

9 red

ILLUMINATED

G red

H orange

E green

L white

X custom

0 none

1 black

2 white

5 grey

7 light blue

8 red

9 orange

X custom

0

1

2

3

4

5

6

8

9

C

F

G

Z

S

R

X



TECNO

TYPICAL APPLICATIONS Cleaning and outdoor, small appliances, chainsaw, gardening

FUNCTIONS ■ SPST, momentary or not

CYCLE No. 50.000

CUT OUT 19x13 mm

AMBIENT TEMPERATURE 125 °C

GWT 850 °C

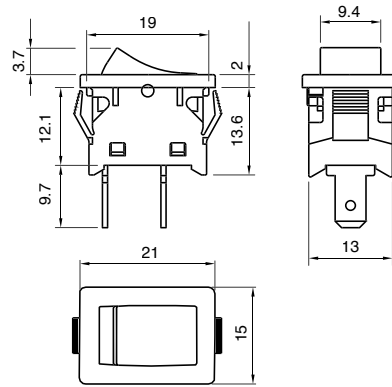
GWT NO FLAME (<2sec) 750 °C on demand



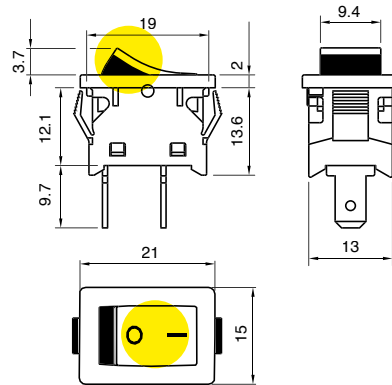
T E C N O ?

DRAWING

7



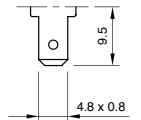
1



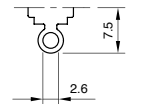
?

TERMINAL

1



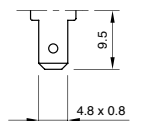
2



?

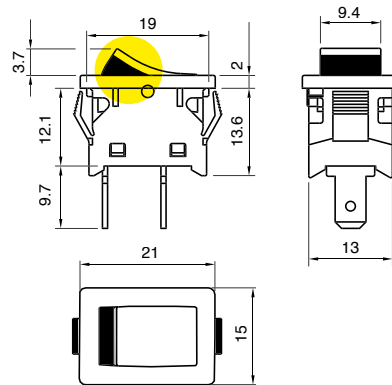
TERMINAL

1



T E C N O 4

DRAWING

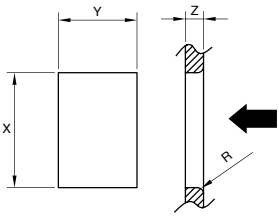


?

TERMINAL

NOTES

Water splash proof body



Z	Y	X
0,75 ... 3,5	13,0	+0,2 0
		19,0
		+0,2 0

T	E	C	N	O	DRAWING	TERMINAL	FUNCTION	RATING	BODY COLOUR	ROCKER COLOUR	MARKING COLOUR	MARKING	0	0	0

?	?	?	?	?	?	?	0	0	0
---	---	---	---	---	---	---	---	---	---

FUNCTION RATING BODY COLOR ROCKER COLOUR MARKING COLOUR MARKING

<p>1</p> <p>4 Drawing 7</p> <p>A Drawing 7</p>	<p>3</p> <p>10 (4) A / 250 VAC 10 / 100 A / 250 VAC 6 (4) A / 250 VAC - 5E4 T125/55 °C EN 61058</p> <p>15 A / 125 VAC T65 °C UL 1054</p>	<p>1 </p> <p>black</p> <p>X </p> <p>custom</p>	<p>1 </p> <p>black</p> <p>X </p> <p>custom</p>	<p>Drawing 7</p> <p>0</p> <p>none</p> <p>1 </p> <p>black</p> <p>2 </p> <p>white</p> <p>X </p> <p>custom</p> <p>Drawing 1 Side and marking</p> <p>9 </p> <p>red</p>	<p>0 </p> <p>1 </p> <p>3 </p> <p>X </p> <p>Drawing 1 from mould</p> <p>1 </p>
---	---	--	--	---	--

T	E	C	N	O	4	TERMINAL	FUNCTION	RATING	BODY COLOUR	ROCKER COLOUR	MARKING COLOUR	MARKING	0	0

?	?	?	?	?	?	?	0	0
---	---	---	---	---	---	---	---	---

FUNCTION RATING BODY COLOR ROCKER COLOUR MARKING COLOUR MARKING

<p>1</p>	<p>3</p> <p>10 (4) A / 250 VAC 10 / 100 A / 250 VAC 6 (4) A / 250 VAC - 5E4 T125/55 °C EN 61058</p> <p>15 A / 125 VAC T65 °C UL 1054</p>	<p>1 </p> <p>black</p> <p>X </p> <p>custom</p>	<p>19 </p> <p>Top Side black red</p> <p>XX </p> <p>custom</p>	<p>0</p> <p>none</p> <p>2</p> <p>white</p> <p>X </p> <p>custom</p>	<p>0 </p> <p>1 </p> <p>3 </p> <p>X </p>
-----------------	---	--	---	---	---



A8

TYPICAL APPLICATIONS	Small appliances
FUNCTIONS	■ DPST, illuminated or not
CYCLE No.	50.000
CUT OUT	19x13 mm
AMBIENT TEMPERATURE	125°
GWT	850 °C
GWT NO FLAME (<2sec)	750 °C on demand

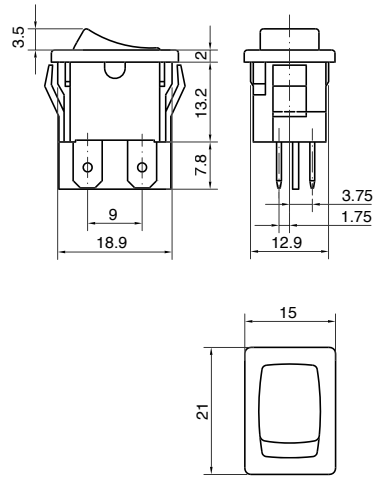


A 8

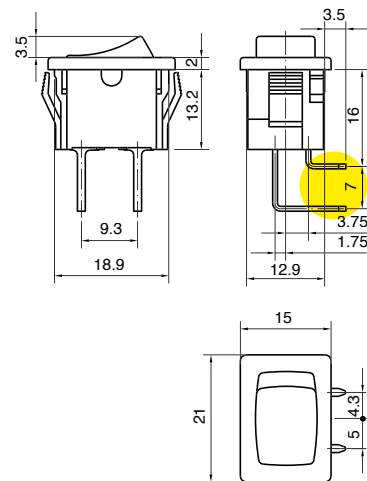
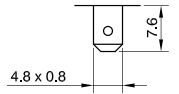
DRAWING

?

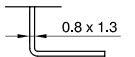
TERMINAL

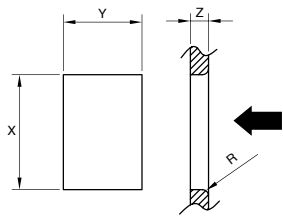


1



C



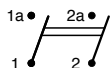


Z	Y	X
0,7 ... 1,25	13,0 ±0,1	19,0 ±0,2
1,25 ... 2,0	13,0 ±0,1	19,3 ±0,2
2,0 ... 3,0	13,0 ±0,1	19,6 ±0,2

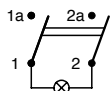
DRAWING TERMINAL	FUNCTION	RATING	BODY COLOUR	ROCKER COLOUR	MARKING COLOUR	MARKING
A	8					
						0 0 0

?	?	?	?	?	?	?	0	0	0
FUNCTION	RATING	BODY COLOUR	ROCKER COLOUR	MARKING COLOUR	MARKING				

2



8



3

10 (4) A / 250 VAC
6 (4) A / 250 VAC - 5E4
T125 °C
EN 61058

10 A - 125 / 250 VAC
1/3 HP - 125 VAC
1/2 HP - 250 VAC
T65 °C
UL 1054
CSA C22.2

1



black

2



white

X



custom

1



black

2



white

8



green

ILLUMINATED

G



red

H



orange

E



green

L



white

X



custom

0

none

1



black

2



white

5



grey

7



light blue

8



red

9



orange

X



custom

0



1



4



6



R



X





GP

TYPICAL APPLICATIONS	Vacuum and steam cleaners
FUNCTIONS	■ DPST, illuminated or not
CYCLE No.	50.000
CUT OUT	19x13 mm
AMBIENT TEMPERATURE	125 °C
GWT	850 °C
GWT NO FLAME (<2sec)	750 °C on demand



G P

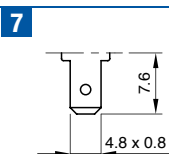
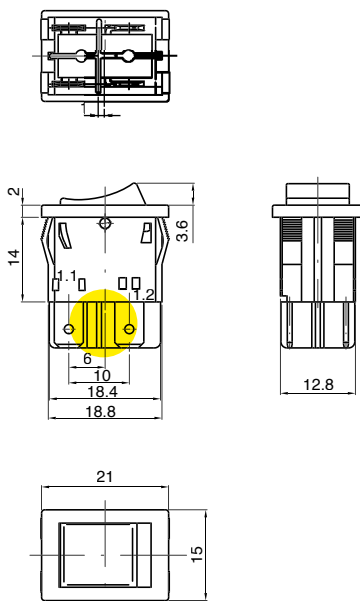
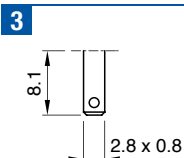
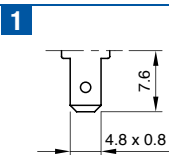
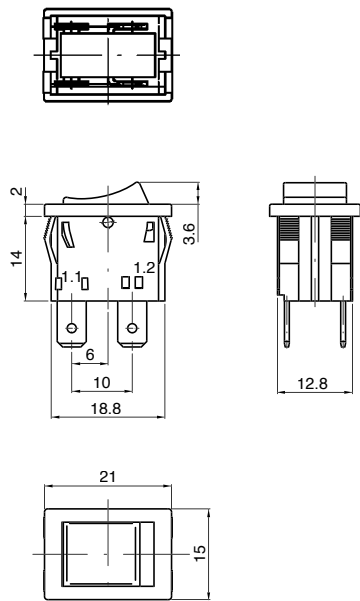
DRAWING

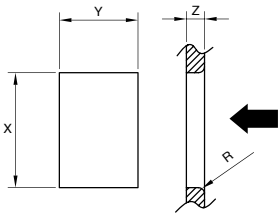
?

TERMINAL



WATERPROOF CAP





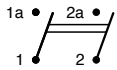
Z	Y	X
0,70 ... 1,25	13,0 ±0,1	19,1 ±0,1
1,25 ... 2,0	13,0 ±0,1	19,4 ±0,1
2,0 ... 3,0	13,0 ±0,1	19,7 ±0,1

TERMINAL	FUNCTION	RATING	BODY COLOUR	ROCKER COLOUR	MARKING COLOUR	MARKING
G	P					
M	0	0				

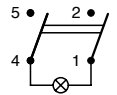
?	?	?	?	?	?	M	0	0
---	---	---	---	---	---	---	---	---

FUNCTION RATING BODY COLOUR ROCKER COLOUR MARKING COLOUR MARKING

2



8



H

12 A / 250 VAC
 6 (6) A / 250 VAC
 2 / 120 A - 250 VAC
 5 (5) A / 250 VAC - 5E4
 T125/55 °C
 EN 61058

15 A / 125 VAC
 12 A / 250 VAC
 T65 °C
 UL 1054

1

black

2

white

X

custom

1

black

2

white

9

red

ILLUMINATED

G

red

E

green

X

custom

0

none

1

black

2

white

8

red

X

custom

0



1



4



6



R



X





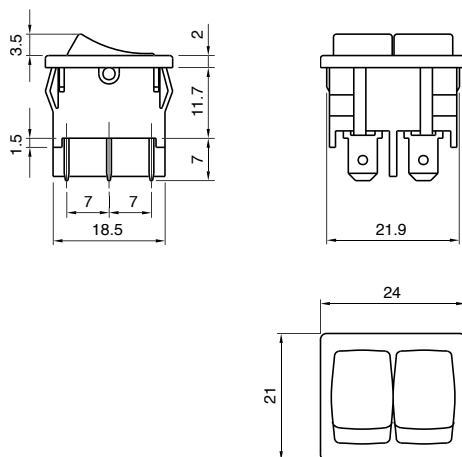
A2

TYPICAL APPLICATIONS	Hairdryers, small appliances
FUNCTIONS	<ul style="list-style-type: none"> ■ Double SPST ■ Double SPDT momentary ■ SPST, illuminated or not + Indicator light ■ SPST + SPCO
CYCLE No.	50.000
CUT OUT	19x22 mm
AMBIENT TEMPERATURE	125 °C
GWT	850 °C
GWT NO FLAME (<2sec)	750 °C on demand

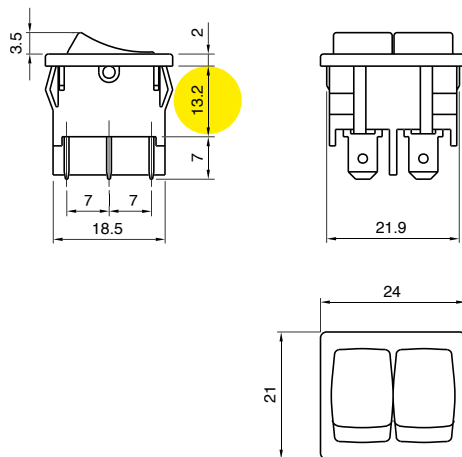


A 2

DRAWING

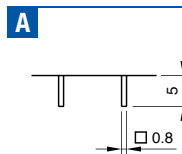
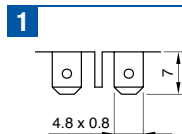


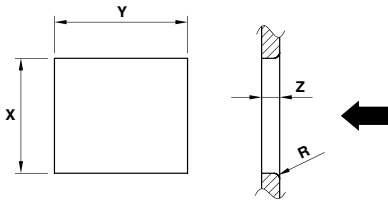
Function K - W



?

TERMINAL





Z	Y	X
0,7 ... 1,25	22,0 ±0,1	19,0 ±0,2
1,25 ... 2,0	22,0 ±0,1	19,3 ±0,2
2,0 ... 3,0	22,0 ±0,1	19,6 ±0,2

TERMINAL	FUNCTION	RATING	BODY COLOUR	ROCKER COLOUR L	ROCKER COLOUR R	MARKING COLOUR	MARKING L	MARKING R
A	2							

FUNCTION	RATING	BODY COLOUR	ROCKER COLOUR	MARKING COLOUR	MARKING
?	?	?	L ? R ?	?	L ? R ?

0	0
---	---

1 Terminal 1

B Terminal 1

G Terminal 1

K Terminal A

W Terminal 1

2

Function B
6 (2) A / 250 VAC
3 (1) A / 250 VAC - 5E4
T125/55 °C - T125 °C
EN 61058

6 A - 125 / 250 VAC
 1/10 HP - 125 VAC
 1/6 HP - 250 VAC
 T105 °C
 UL 1054
 CSA C22.2

3

Function 1 - G - W
10 (4) A / 250 VAC
6 (4) A / 250 VAC - 5E4
T125/55 °C - T125 °C
EN 61058

10 A - 125 / 250 VAC
 1/3 HP - 125 VAC
 1/2 HP - 250 VAC
 T105 °C
 UL 1054
 CSA C22.2

6

Function K
10 (2) A / 250 VAC
6 (1) A / 250 VAC - 5E4
T125/55 °C - T125 °C
µ disconnection
EN 61058

6 A - 125 / 250 VAC
 1/8 HP - 125 VAC
 1/6 HP - 250 VAC
 T105 °C
 UL 1054
 CSA C22.2

1 black

2 white

X custom

1 black

2 white

9 red

B light blue

ILLUMINATED

G red

H orange

E green

L white

X custom

0 none

1 black

2 white

5 grey

7 light blue

8 red

9 orange

X custom

0

1

2

3

4

5

6

8

9

C

F

G

S

R

Z

X

X



A4

TYPICAL APPLICATIONS Vacuum cleaners, HVAC

- FUNCTIONS**
- SPST, momentary or not
 - DPST, illuminated or not
 - DPCO
 - DPDT, momentary or not

CYCLE No. 50.000

CUT OUT 19x22 mm

AMBIENT TEMPERATURE 125 °C

GWT 850 °C

GWT NO FLAME (<2sec) 750 °C on demand

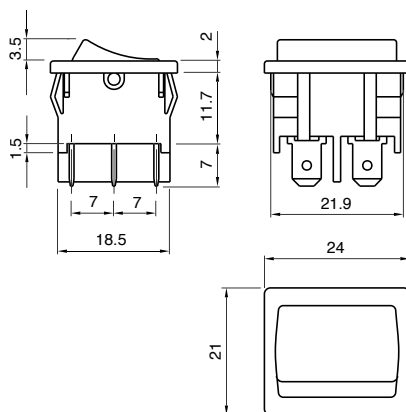


A 4

DRAWING



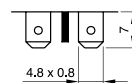
WATERPROOF CAP



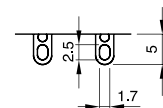
?

TERMINAL

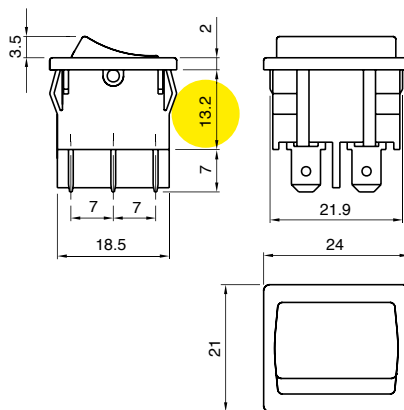
1

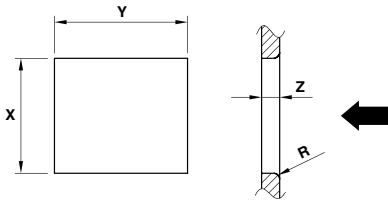


2



Function 9





Z	Y	X
0,7 ... 1,25	22,0 ±0,1	19,0 ±0,2
1,25 ... 2,0	22,0 ±0,1	19,3 ±0,2
2,0 ... 3,0	22,0 ±0,1	19,6 ±0,2

TERMINAL	FUNCTION	RATING	BODY COLOUR	ROCKER COLOUR	MARKING COLOUR	MARKING
A	4					0 0 0

?	?	?	?	?	?	0	0	0
---	---	---	---	---	---	---	---	---

FUNCTION RATING BODY COLOUR ROCKER COLOUR MARKING COLOUR MARKING

1

2

4

8

9

L

M

2

Function 4 - M
6 (2) A / 250 VAC
3 (1) A / 250 VAC - 5E4
T125/55 °C - T125 °C
EN 61058

6 A - 125 / 250 VAC
 1/6 HP - 250 VAC
 1/10 HP - 125 VAC
 T105 °C
 UL 1054
 CSA C22.2

3

Function 1 - 2 - L - 8
10 (4) A / 250 VAC
6 (4) A / 250 VAC - 5E4
T125/55 °C - T125 °C
EN 61058

10 A - 125 / 250 VAC
 1/3 HP - 125 VAC
 1/2 HP - 250 VAC
 T105 °C
 UL 1054
 CSA C22.2

6

Function 9
10 (2) A / 250 VAC
6 (1) A / 250 VAC - 5E4
T125/55 °C - T125 °C
µ disconnection
EN 61058

6 A - 125 / 250 VAC
 1/8 HP - 125 VAC
 1/6 HP - 250 VAC
 T105 °C
 UL 1054
 CSA C22.2

B

Function 2
13 (4) A / 250 VAC
8 (8) A / 250 VAC - 5E4
T125/55 °C - T125 °C
EN 61058

15 A / 125 VAC
 10 A / 250 VAC
 1/3 HP - 125 VAC
 1/2 HP - 250 VAC
 T105 °C
 UL 1054
 CSA C22.2

Function 9
13 (4) A / 250 VAC
6 (4) A / 250 VAC - 5E4
T125/55 °C - T125 °C
µ disconnection
EN 61058

15 A / 125 VAC
 10 A / 250 VAC
 1/3 HP - 125 VAC
 1/2 HP - 250 VAC
 T105 °C
 UL 1054
 CSA C22.2

1 black

2 white

X ? custom

1 black

2 white

ILLUMINATED

G red

H orange

E green

L white

X ? custom

0 none

1 black

2 white

5 grey

7 light blue

8 red

9 orange

X ? custom

0

1

2

3

5

9

C

K

N

Z

X



A4

TYPICAL APPLICATIONS	Vacuum cleaners, HVAC
FUNCTIONS	<ul style="list-style-type: none"> ■ DPST, illuminated or not ■ DPDT
CYCLE No.	50.000
CUT OUT	19x22 mm
AMBIENT TEMPERATURE	125 °C
GWT	850 °C
GWT NO FLAME (<2sec)	750 °C on demand

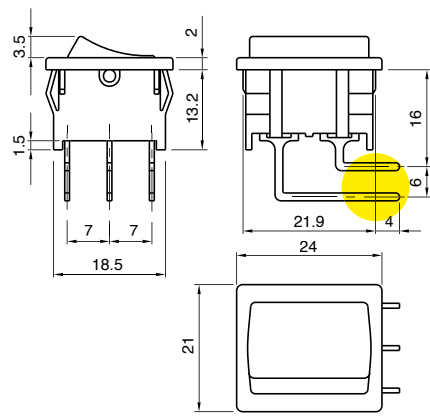


A 4

DRAWING



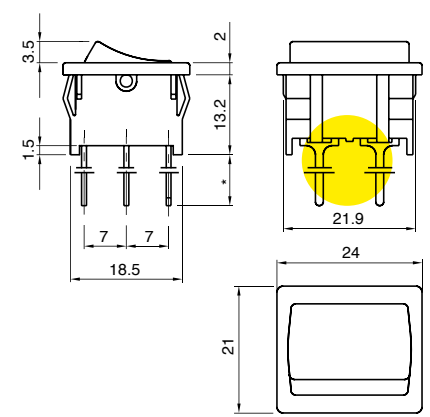
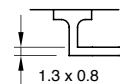
WATERPROOF CAP



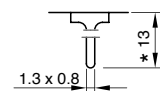
?

TERMINAL

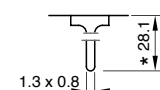
C

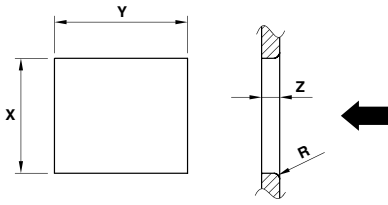


5



6



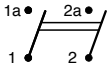


Z	Y	X
0,7 ... 1,25	22,0 ±0,1	19,0 ±0,2
1,25 ... 2,0	22,0 ±0,1	19,3 ±0,2
2,0 ... 3,0	22,0 ±0,1	19,6 ±0,2

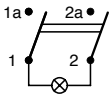
TERMINAL	FUNCTION	RATING	BODY COLOUR	ROCKER COLOUR	MARKING COLOUR	MARKING
A	4					0 0 0

?	?	?	?	?	?	0	0	0
FUNCTION	RATING	BODY COLOUR	ROCKER COLOUR	MARKING COLOUR	MARKING			

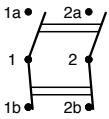
2 Terminal C - 6



8 Terminal C



L Terminal 5



3

10 (4) A / 250 VAC
 6 (4) A / 250 VAC - 5E4
 T125/55 °C - T125 °C
 EN 61058

10 A - 125 / 250 VAC
 1/3 HP - 125 VAC
 1/2 HP - 250 VAC
 T105 °C
 UL 1054
 CSA C22.2

1 black

2 white

X custom

1 black

2 white

ILLUMINATED

G red

H orange

E green

L white

X custom

0 none

1 black

2 white

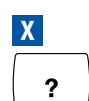
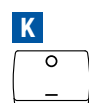
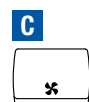
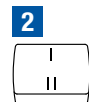
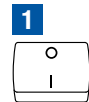
5 grey

7 light blue

8 red

9 orange

X custom





B10

TYPICAL APPLICATIONS Ironing systems

FUNCTIONS

- SPST, momentary or not
- SPDT, momentary or not
- SPCO

CYCLE No. 50.000

CUT OUT 27x12 mm

AMBIENT TEMPERATURE 120 °C

GWT 850 °C

GWT NO FLAME (<2sec) 750 °C on demand

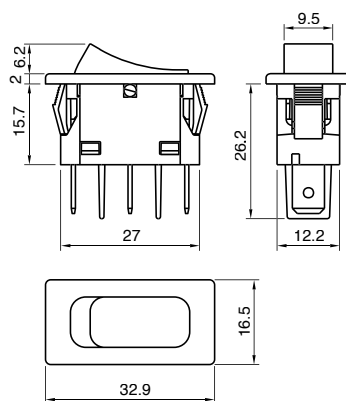


B 1 0

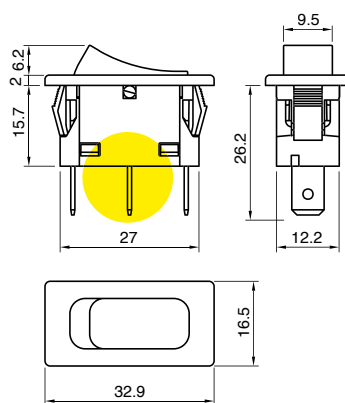
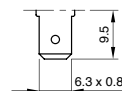
?

DRAWING

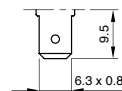
TERMINAL



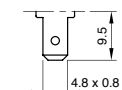
1



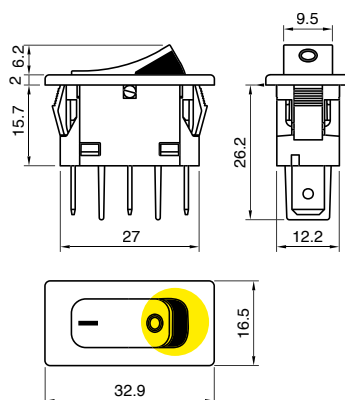
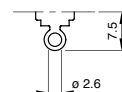
6



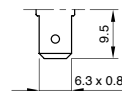
T

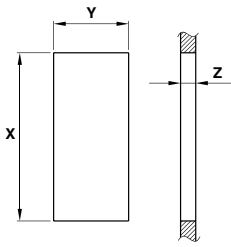


U



3





Z	Y	X
0,75 ... 1,25	12,4	$\begin{matrix} +0,2 \\ 0 \end{matrix}$ 27,4
1,25 ... 2,0	12,4	$\begin{matrix} +0,2 \\ 0 \end{matrix}$ 27,6
2,0 ... 3,0	12,4	$\begin{matrix} +0,2 \\ 0 \end{matrix}$ 27,8

TERMINAL	FUNCTION	RATING	BODY COLOUR	ROCKER COLOUR	MARKING COLOUR	MARKING
B	1	0				
						0 0 0

?	?	?	?	?	?	?	0	0	0
---	---	---	---	---	---	---	---	---	---

FUNCTION RATING BODY COLOUR ROCKER COLOUR MARKING COLOUR MARKING

1

3 Terminal 1 - 6 - U

4 Terminal 1 - 6 - U

5 Terminal 1 - 6 - U

A Terminal 1 - 6 - U

B Terminal 1 - 6 - U

1

Function 1

4 (1) A / 250 VAC
 2 (0.5) A / 250 VAC - 5E4
 T120/55 °C
 EN 61058

C

Terminal 1 - 6 - U - 3

16 (6) A / 250 VAC
 10 (4) A / 250 VAC - 5E4
 T120/55 °C
 EN 61058

20 A / 125 VAC
 16 A / 250 VAC
 1/3 HP - 125 VAC
 3/4 HP - 250 VAC
 T105 °C
 UL 1054
 CSA C22.2

1 black

2 white

X ? custom

1 black

2 white

9 red

X ? custom

0 none

1 black

2 white

5 grey

7 light blue

8 red

9 orange

X ? custom

Terminal 3 side and marking

8 green

0

1

2

9

A

N

X

Terminal 3 from mould

1



SX81

TYPICAL APPLICATIONS Refrigerators, electromedical appliances
coffee machines, gardening equipments

FUNCTIONS

- SPST, momentary or not
- SPST illuminated
- SPDT
- SPCO

CYCLE No. 50.000

CUT OUT 30x11 mm

AMBIENT TEMPERATURE 125 °C

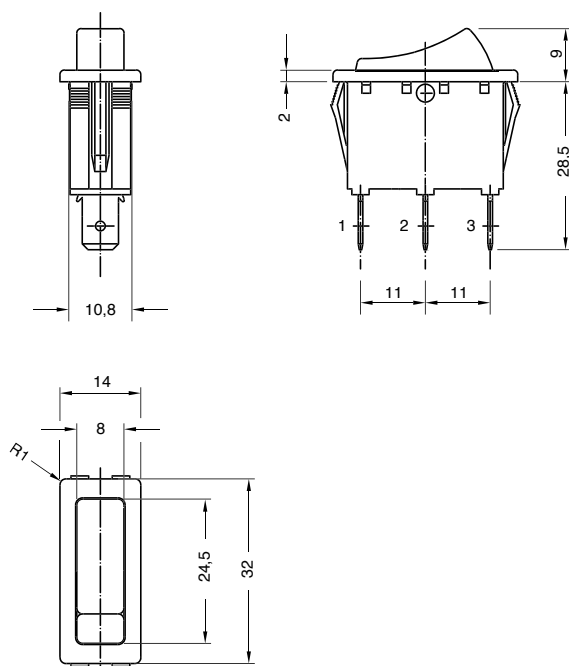
GWT 850 °C

GWT NO FLAME (<2sec) 750 °C on demand



S X 8 1 ?

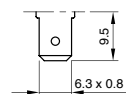
DRAWING



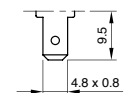
?

TERMINAL

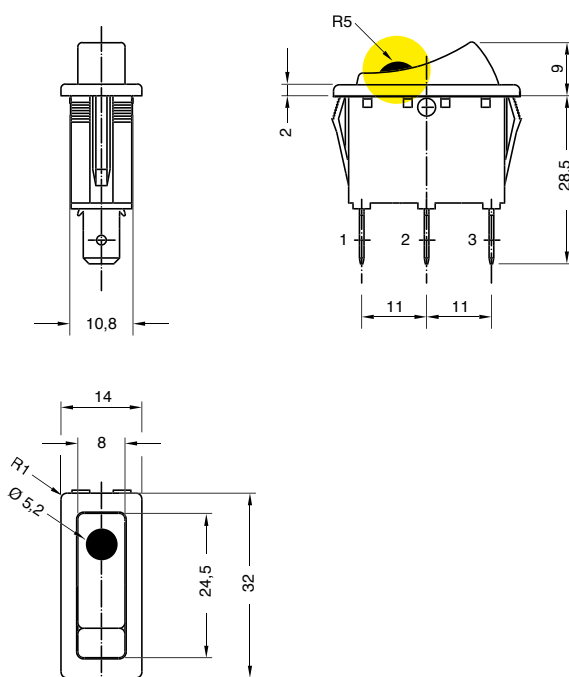
1



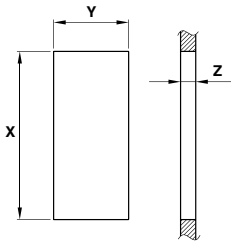
2



3



WATERPROOF CAP



	Z	Y	X
PLASTIC	0,7 ... 3,5	11,0 ±0,1	30,0 ^{+0,2} / ₀
METAL	0,7 ... 2,5	11,0 ±0,1	30,2 ^{+0,2} / ₀

S	X	8	1	DRAWING	TERMINAL	FUNCTION	RATING	BODY COLOUR	ROCKER COLOUR	MARKING COLOUR	MARKING	LENS COLOUR	0	0	0

?	?	?	?	?	?	?	?	?	?	?	?	?	?	?	?
FUNCTION	RATING	BODY COLOUR	ROCKER COLOUR	MARKING COLOUR	MARKING	LENS COLOUR	LENS COLOUR	LENS COLOUR	LENS COLOUR	LENS COLOUR	LENS COLOUR	LENS COLOUR	LENS COLOUR	LENS COLOUR	LENS COLOUR

1

3

4

5

6

8

Function 1
 20 (2) A / 250 VAC *
 16 (8) A / 250 VAC
 10 (4) A / 400 VAC
 10 (6) A / 250 VAC - 5E4
 T125/55 °C
 EN 61058

20 A / 125 VAC
 16 A / 250 VAC
 3/4 HP - 125 / 250 VAC
 T105 °C
 UL 1054

Function 3 - 4 - B
 16 (6) A / 250 VAC
 10 (4) A / 400 VAC
 10 (4) A / 250 VAC - 5E4
 T125/55 °C
 EN 61058

20 A / 125 VAC
 16 A / 250 VAC
 3/4 HP - 125 / 250 VAC
 T105 °C
 UL 1054

Function 5
 16 (6) A / 250 VAC
 10 (4) A / 250 VAC - 5E4
 T125/55 °C
 EN 61058

16 A - 125 / 250 VAC
 3/4 HP - 125 / 250 VAC
 T105 °C
 UL 1054

Function 6
 20 (2) A / 250 VAC *
 16 (8) A / 250 VAC
 10 (6) A / 250 VAC - 5E4
 T125/55 °C
 EN 61058

20 A / 125 VAC
 16 A / 250 VAC
 3/4 HP - 125 / 250 VAC
 T105 °C
 UL 1054

* Not available with terminal 2

1 black

2 white

X custom

1 black

2 white

9 red

ILLUMINATED

G red

H orange

E green

X custom

0 none

1 black

2 white

X custom

0

1

2

6

A

C

N

X

0 none

ILLUMINATED

G red

H orange

E green

X custom



SX82



TYPICAL APPLICATIONS Coffee machines, refrigerators, ironing steam generators, medical appliances, vacuum cleaners, power inlet

- FUNCTIONS**
- SPST, illuminated or not
 - DPST, momentary or not
 - DPST, illuminated or not
 - DPCO
 - DPDT

CYCLE No. 50.000

CUT OUT 30x22 mm

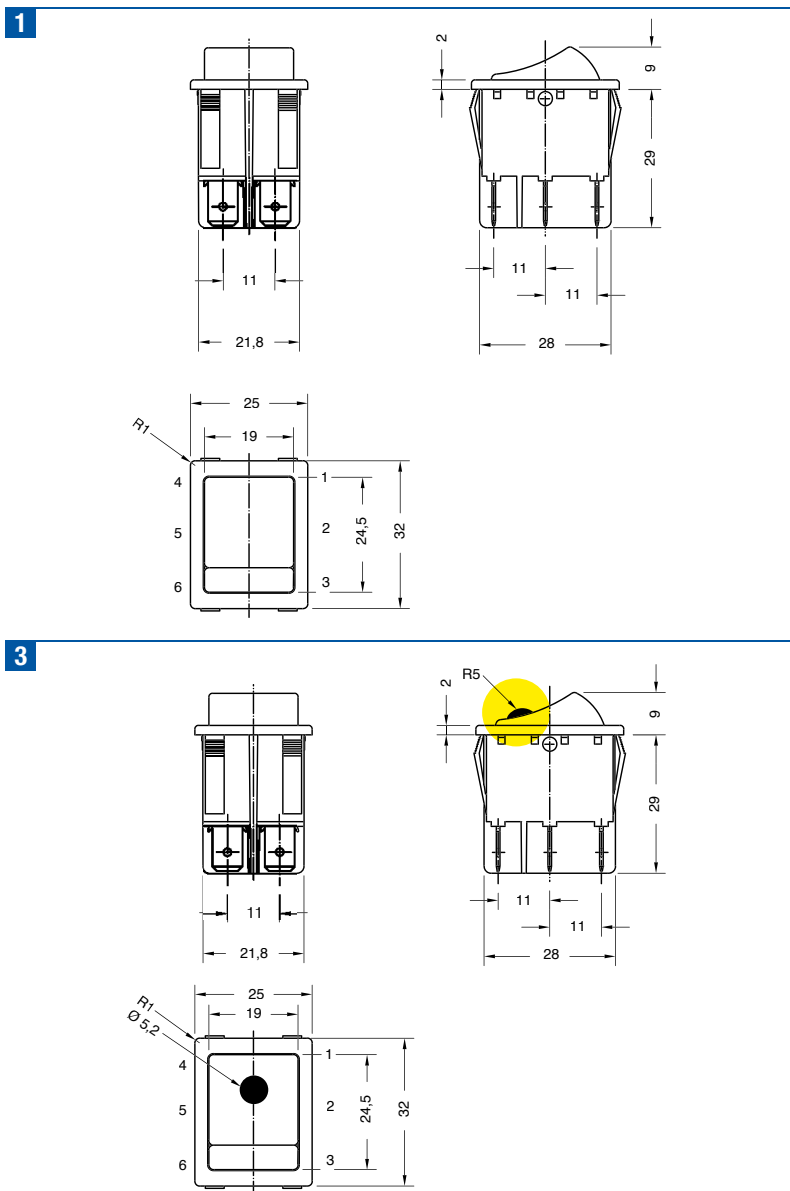
AMBIENT TEMPERATURE 125 °C

GWT 850 °C

GWT NO FLAME (<2sec) 750 °C on demand

S X 8 2 ?

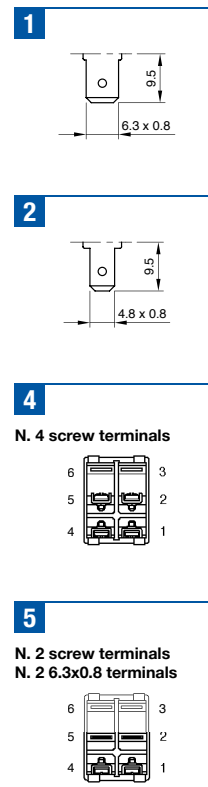
DRAWING



WATERPROOF CAP

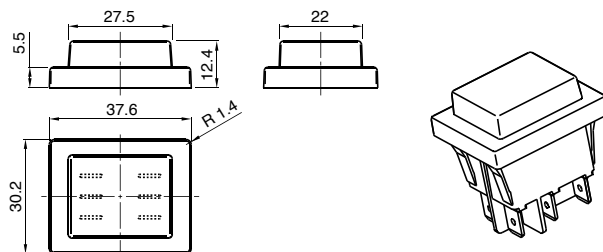
?

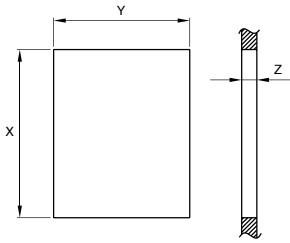
TERMINAL



P (1 + waterproof cap mounted)

Q (3 + waterproof cap mounted)





		Z	Y	X
STANDARD	PLASTIC	0,7 ... 3,5	22 ±0,1	30 +0,2 0
WATERPROOF CAP VERSION	METAL	0,7 ... 2,5	22 ±0,1	30,2 +0,2 0

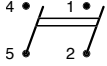
DRAWING	TERMINAL	FUNCTION	RATING	BODY COLOUR	ROCKER COLOUR	MARKING COLOUR	MARKING	LENS COLOUR			
S	X	8	2						0	0	0

?	?	?	?	?	?	?	?	0	0	0
FUNCTION	RATING	BODY COLOUR	ROCKER COLOUR	MARKING COLOUR	MARKING	LENS COLOUR				

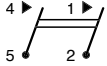
1 Terminal 1 - 2



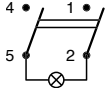
2



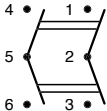
7 Terminal 1



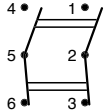
8



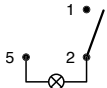
9 Terminal 1



L Terminal 1



W Terminal 1



8

Function 1 - 2
 20 (2) A / 250 VAC *
 16 (8) A / 250 VAC
 10 (6) A / 250 VAC - 5E4
 10 (4) A / 400 VAC
 T125/55 °C
 EN 61058

20 A / 125 VAC
 16 A / 250 VAC
 3/4 HP - 125 / 250 VAC
 T105 °C
 UL 1054

Function 7 - L
 16 (6) A / 250 VAC
 10 (4) A / 400 VAC
 10 (4) A / 250 VAC - 5E4
 T125/55 °C
 EN 61058

20 A / 125 VAC
 16 A / 250 VAC
 3/4 HP - 125 / 250 VAC
 T105 °C
 UL 1054

Function 8 - W
 20 (2) A / 250 VAC *
 16 (8) A / 250 VAC
 10 (6) A / 250 VAC - 5E4
 T125/55 °C
 EN 61058

20 A / 125 VAC
 16 A / 250 VAC
 3/4 HP - 125 / 250 VAC
 T105 °C
 UL 1054

Function 9
 16 (6) A / 250 VAC
 10 (4) A / 250 VAC - 5E4
 T125/55 °C
 EN 61058

16 A / 125 VAC
 16 A / 250 VAC
 3/4 HP - 125 / 250 VAC
 T105 °C
 UL 1054

B

Function 8 - W
 20 (2) A / 250 VAC *
 16 (8) A / 250 VAC
 10 (6) A / 250 VAC - 5E4
 T125/55 °C
 EN 61058

16 A / 250 VAC
 3/4 HP - 250 VAC
 T105 °C
 UL 1054

* Not available for terminal 2

1 black

2 white

X custom

1 black

2 white

ILLUMINATED

G red

H orange

E green

L white

F blue

X custom

1 black

2 white

0 none

X custom

1

2

6

9

A

C

D

N

0

X

0 none

ILLUMINATED

G red

H orange

E green

X custom



SX83



TYPICAL APPLICATIONS Small appliances

FUNCTIONS

- Double SPST, illuminated or not
- Double SPDT
- SPST, illuminated or not + Indicator light
- SPST + SPCO

CYCLE No. 50.000

CUT OUT 30x22 mm

AMBIENT TEMPERATURE 125 °C

GWT 850 °C

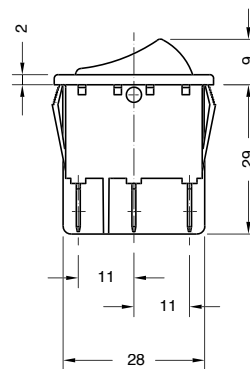
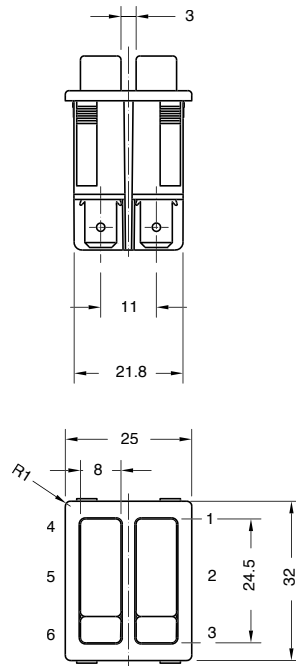
GWT NO FLAME (<2sec) 750 °C on demand

S X 8 3

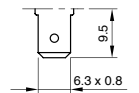
DRAWING

?

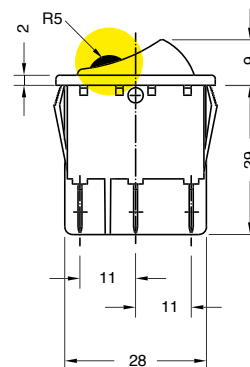
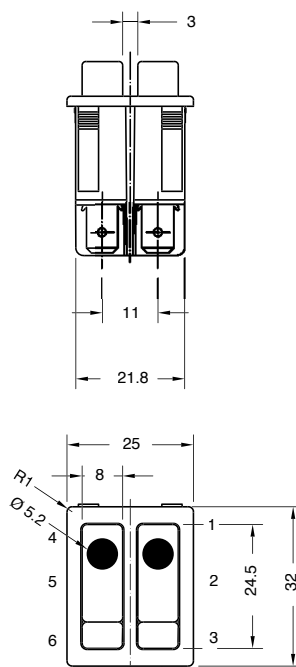
TERMINAL



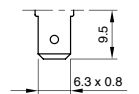
1



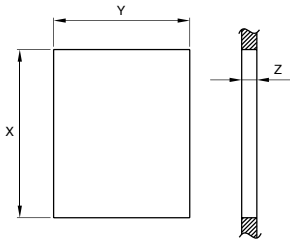
P (1 + waterproof cap mounted)



3



Q (3 + waterproof cap mounted)

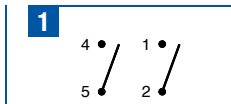


	Z	Y	X
PLASTIC	0,7 ... 3,5	22 ±0,1	30 +0,2 0
METAL	0,7 ... 2,5	22 ±0,1	30,2 +0,2 0

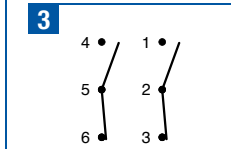
TERMINAL	FUNCTION	RATING	BODY COLOUR	ROCKER COLOUR L	ROCKER COLOUR R	MARKING COLOUR	MARKING L	MARKING R	LENS COLOUR
S	X	8	3						

FUNCTION	RATING	BODY COLOUR	ROCKER COLOUR	MARKING COLOUR	MARKING	LENS COLOUR
?	?	?	L ? R ?	?	L ? R ?	?

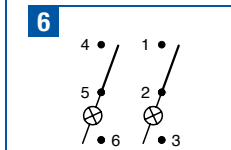
0	0
---	---



8
Function 1
 20 (2) A / 250 VAC
 16 (8) A / 250 VAC
 10 (4) A / 400 VAC
 10 (6) A / 250 VAC - 5E4
 T125/55 °C
 EN 61058

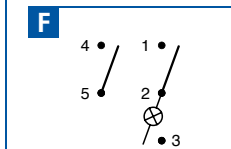


20 A / 125 VAC
 16 A / 250 VAC
 3/4 HP - 125 / 250 VAC
 T105 °C
 UL 1054



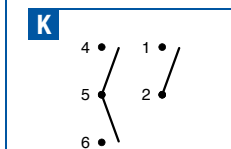
Function 3
 16 (8) A / 250 VAC
 10 (4) A / 400 VAC
 10 (6) A / 250 VAC - 5E4
 T125/55 °C
 EN 61058

20 A / 125 VAC
 16 A / 250 VAC
 3/4 HP - 125 / 250 VAC
 T105 °C
 UL 1054

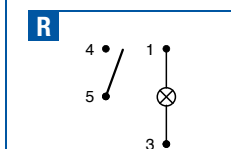


Function W - 6
 20 (2) A / 250 VAC
 16 (8) A / 250 VAC
 10 (6) A / 250 VAC - 5E4
 T125/55 °C
 EN 61058

20 A / 125 VAC
 16 A / 250 VAC
 3/4 HP - 125 / 250 VAC
 T105 °C
 UL 1054

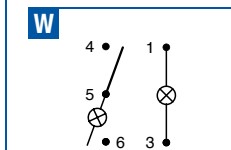


A
Function R
 20 (2) A / 250 VAC
 16 (8) A / 250 VAC
 10 (6) A / 250 VAC - 5E4
 T125/55 °C
 EN 61058



B
Function 6 - F
 20 (2) A / 250 VAC
 16 (8) A / 250 VAC
 10 (6) A / 250 VAC - 5E4
 T125/55 °C
 EN 61058

16 A / 250 VAC
 3/4 HP - 250 VAC
 T105 °C
 UL 1054



D
Function K
 16 (6) A / 250 VAC
 10 (4) A / 250 VAC - 5E4
 T125/55 °C
 EN 61058

- 1** black
- 2** white
- X** custom

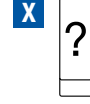
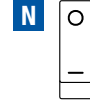
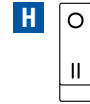
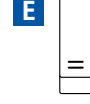
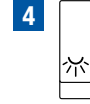
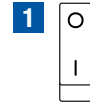
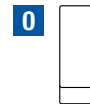
- 1** black
- 2** white

ILLUMINATED

- G** red
- H** orange
- E** green

- X** custom

- 0** none
- 1** black
- 2** white
- X** custom



- 0** none

ILLUMINATED

- G** red
- H** orange
- E** green
- X** custom



- Headquarter
- Production Site
- Sales Network



Everel Group S.P.A.

[Headquarter - Production Site]
Via Cavour, 9
37067 Valeggio sul Mincio (VR) - Italy
tel. +39 045 6313711
fax +39 045 6313730

Dreefs GmbH

[Production Site]
Ernst-Dreefs-Straße 7
96364 Marktrodach - Germany
tel. +49 9261 9610
fax +49 9261 961248

Everel Romania S.r.l.

[Production Site]
Calea Timisorii 109
Lipova - Arad - Romania
tel. +40 257 563087
fax +40 257 563086

www.everelgroup.com

