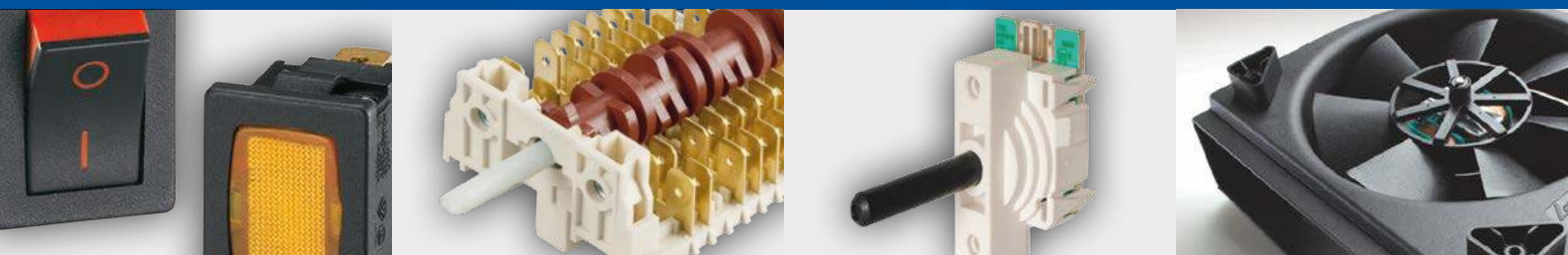


30 **CVEREL**

THE WORLD IN A CLICK



ROCKER SWITCHES



Dreefs

 **SIGNAL LUX**

givem

M MOLVENO

 **KAUTT & BUX**

Rocker Switches

01



A1

42



SX81

60



TECNO

46



SX8A

62



A8

48



SX82

64



GP

50



SX83

66



A2

52



SXD1

68



A4

54



B10

58



A1

TYPICAL APPLICATIONS Small appliances

FUNCTIONS ■ SPST, momentary or not
■ SPDT, momentary or not

CYCLE No. 50.000

CUT OUT 19x13 mm

AMBIENT TEMPERATURE 125 °C

GWT 850 °C

GWT NO FLAME (<2sec) 750 °C on demand



A 1

DRAWING

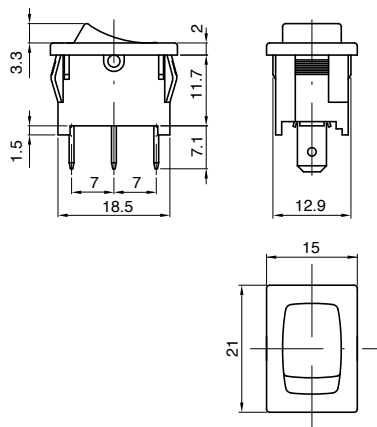
?

TERMINAL

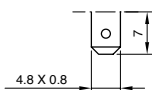


A1PRT

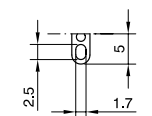
WATERPROOF CAP



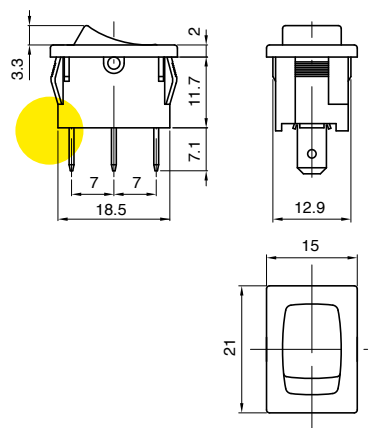
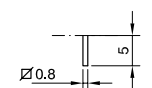
1



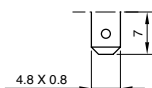
2



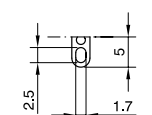
A



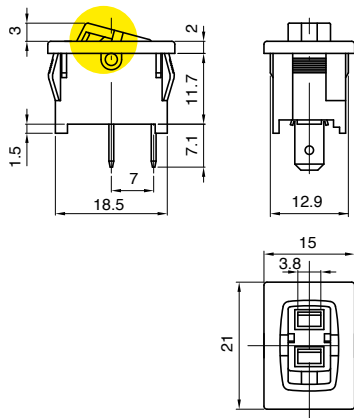
7



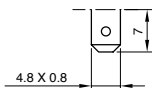
8



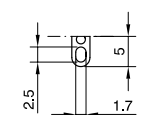
CUSTOMIZABLE

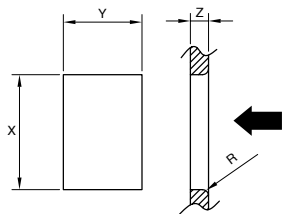


9



E





Z	Y	X
0,75 ... 1,25	13,0 ±0,1	19,0 ±0,1
1,25 ... 2,0	13,0 ±0,1	19,3 ±0,2
2,0 ... 3,0	13,0 ±0,1	19,6 ±0,2

TERMINAL	FUNCTION	RATING	BODY COLOUR	ROCKER COLOUR	MARKING COLOUR	MARKING
A	1					
						0 0 0

?	?	?	?	?	?	0 0 0
---	---	---	---	---	---	-------

FUNCTION RATING BODY COLOUR ROCKER COLOUR MARKING COLOUR MARKING

1

3 Terminal 1 - 2 - 9 - E

4 Terminal 1 - 2 - 7 - 8

A Terminal 1 - 2 - 7 - 8

B Terminal 1 - 2

2

Terminal 1 - 2
Function 4 - A - B

6 (2) A / 250 VAC
3 (1) A / 250 VAC - 5E4
T125/55 °C - T125 °C
EN 61058

6 A - 125 / 250 VAC
1/10 HP - 125 VAC
1/6 HP - 250 VAC
T105 °C
UL 1054
CSA C22.2

3

Terminal 1 - 2 - 7 - 8 - 9 - A - E
Function 1 - 3

10 (4) A / 250 VAC
6 (6) A / 250 VAC
6 (4) A / 250 VAC - 5E4
T125/55 °C - T125 °C
EN 61058

10 A - 125 / 250 VAC
1/3 HP - 125 VAC
1/2 HP - 250 VAC
T105 °C
UL 1054
CSA C22.2

7

Terminal 7 - 8
Function 4 - A

10 (2) A / 250 VAC
6 (1) A / 250 VAC - 5E4
T125/55 °C - T125 °C
EN 61058

10 A - 125 / 250 VAC
1/10 HP - 125 VAC
1/6 HP - 250 VAC
T105 °C
UL 1054
CSA C22.2

B

Terminal 1 - 2 - 9 - E
Function 1 - 3

13 (4) A / 250 VAC
6 (6) A / 250 VAC - 5E4
T125/55 °C - T125 °C
EN 61058

15 A / 125 VAC
10 A / 250 VAC
1/3 HP - 125 VAC
1/2 HP - 250 VAC
T105 °C
UL 1054
CSA C22.2

1 black

2 white

9 red

X custom

1 black

2 white

9 red

X custom

0 none

1 black

2 white

5 grey

7 light blue

8 red

9 orange

X custom

0

1

2

3

4

5

6

8

C

F

G

Z

R

X



A1

TYPICAL APPLICATIONS	Small appliances
FUNCTIONS	<ul style="list-style-type: none"> ■ SPST, illuminated or not ■ SPDT ■ SPCO
CYCLE No.	50.000
CUT OUT	19x13 mm
AMBIENT TEMPERATURE	125 °C
GWT	850 °C
GWT NO FLAME (<2sec)	750 °C on demand



A 1

DRAWING

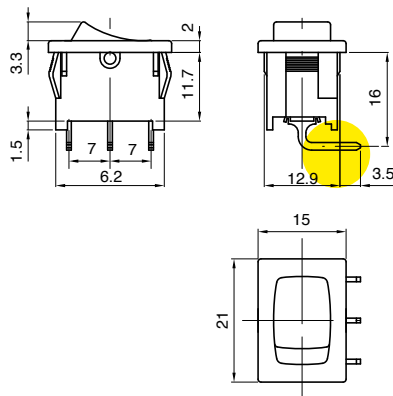
?

TERMINAL

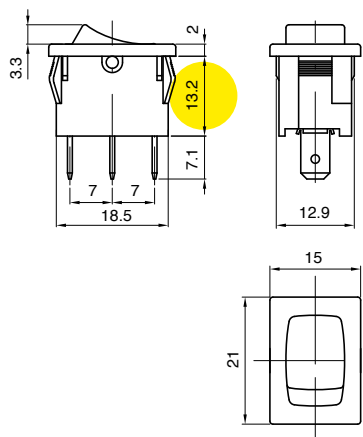
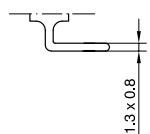


A1PRT

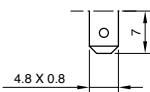
WATERPROOF CAP



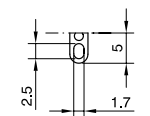
C

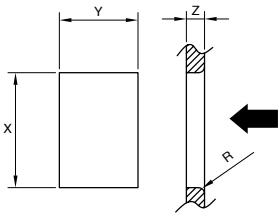


1



2





Z	Y	X
0,75 ... 1,25	13,0 ±0,1	19,0 ±0,1
1,25 ... 2,0	13,0 ±0,1	19,3 ±0,2
2,0 ... 3,0	13,0 ±0,1	19,6 ±0,2

TERMINAL	FUNCTION	RATING	BODY COLOUR	ROCKER COLOUR	MARKING COLOUR	MARKING
A	1					0 0 0

?	?	?	?	?	?	0 0 0
---	---	---	---	---	---	-------

FUNCTION RATING BODY COLOUR ROCKER COLOUR MARKING COLOUR MARKING

1 Terminal C



3 Terminal C



5 Terminal 1 - 2



6 Terminal 1 - 2



3

Terminal 1 - 2 - C
Function 1 - 3 - 6
10 (4) A / 250 VAC
6 (6) A / 250 VAC
6 (4) A / 250 VAC - 5E4
T125/55 °C - T125 °C
EN 61058

10 A - 125 / 250 VAC
 1/3 HP - 125 VAC
 1/2 HP - 250 VAC
 T105 °C
 UL 1054
 CSA C22.2

6

Terminal 1 - 2
Function 5
10 (2) A / 250 VAC
6 (1) A / 250 VAC - 5E4
T125/55 °C - T125 °C
µ disconnection
EN 61058

6 A - 125 / 250 VAC
 1/8 HP - 125 VAC
 1/6 HP - 250 VAC
 T105 °C
 UL 1054
 CSA C22.2

B

Terminal 1
Function 6
13 (4) A / 250 VAC
6 (6) A / 250 VAC - 5E4
T125/55 °C - T125 °C
EN 61058

15 A / 125 VAC
 10 A / 250 VAC
 1/3 HP - 125 VAC
 1/2 HP - 250 VAC
 T105 °C
 UL 1054
 CSA C22.2

Terminal 1 - 2
Function 5
13 (4) A / 250 VAC
6 (6) A / 250 VAC - 5E4
T125/55 °C - T125 °C
µ disconnection
EN 61058

15 A / 125 VAC
 10 A / 250 VAC
 1/3 HP - 125 VAC
 1/2 HP - 250 VAC
 T105 °C
 UL 1054
 CSA C22.2

1

black

2

white

9

red

X

custom

1

black

2

white

9

red

ILLUMINATED

G

red

H

orange

E

green

L

white

X

custom

0

none

1

black

2

white

5

grey

7

light blue

8

red

9

orange

X

custom

0



1



2



3



4



5



6



8



9



C



F



G



Z



S



R



X





TECNO

TYPICAL APPLICATIONS Cleaning and outdoor, small appliances, chainsaw, gardening

FUNCTIONS ■ SPST, momentary or not

CYCLE No. 50.000

CUT OUT 19x13 mm

AMBIENT TEMPERATURE 125 °C

GWT 850 °C

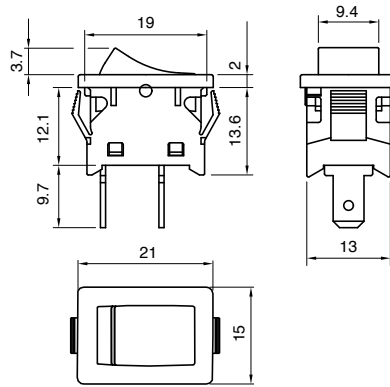
GWT NO FLAME (<2sec) 750 °C on demand



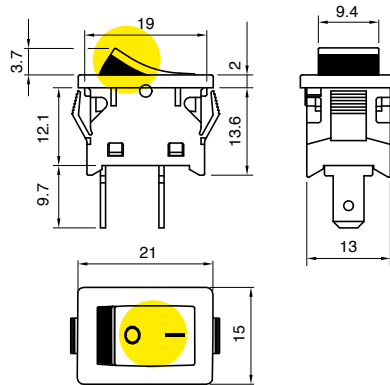
T E C N O ?

DRAWING

7



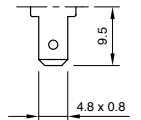
1



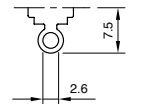
?

TERMINAL

1



2

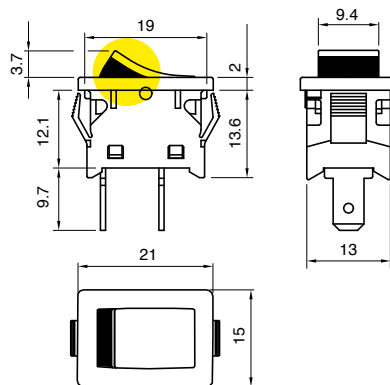


NOTES

Water splash proof body

T E C N O 4

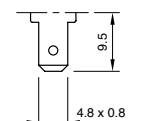
DRAWING

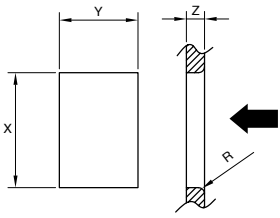


?

TERMINAL

1





Z	Y	X
0,75 ... 3,5	13,0	+0,2 0
		19,0
		+0,2 0

T	E	C	N	O	DRAWING	TERMINAL	FUNCTION	RATING	BODY COLOUR	ROCKER COLOUR	MARKING COLOUR	MARKING	0	0	0

?	?	?	?	?	?	?	0	0	0
---	---	---	---	---	---	---	---	---	---

FUNCTION RATING BODY COLOR ROCKER COLOUR MARKING COLOUR MARKING

1

1a ●
1

4 Drawing 7

1a ▲
1

A Drawing 7

1a ▲
1

3

10 (4) A / 250 VAC
10 / 100 A / 250 VAC
6 (4) A / 250 VAC - 5E4
T125/55 °C
EN 61058

15 A / 125 VAC
T65 °C
UL 1054

1

black

X

custom

1

black

X

custom

Drawing 7

0

none

1

black

2

white

X

custom

Drawing 1
Side and marking

9

red

0

1

3

X

Drawing 1
from mould

1

T	E	C	N	O	4	TERMINAL	FUNCTION	RATING	BODY COLOUR	ROCKER COLOUR	MARKING COLOUR	MARKING	0	0

?	?	?	?	?	?	?	0	0
---	---	---	---	---	---	---	---	---

FUNCTION RATING BODY COLOR ROCKER COLOUR MARKING COLOUR MARKING

1

1a ●
1

3

10 (4) A / 250 VAC
10 / 100 A / 250 VAC
6 (4) A / 250 VAC - 5E4
T125/55 °C
EN 61058

15 A / 125 VAC
T65 °C
UL 1054

1

black

X

custom

19

Top Side
black red

XX

custom

0

none

2

white

X

custom

0

1

3

X



A8

TYPICAL APPLICATIONS	Small appliances
FUNCTIONS	■ DPST, illuminated or not
CYCLE No.	50.000
CUT OUT	19x13 mm
AMBIENT TEMPERATURE	125°
GWT	850 °C
GWT NO FLAME (<2sec)	750 °C on demand

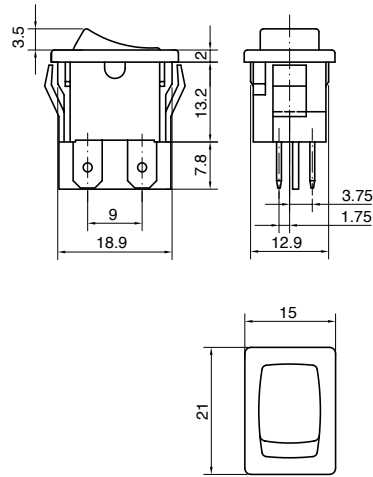


A 8

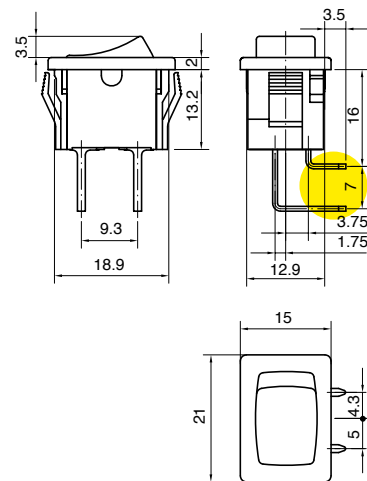
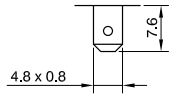
DRAWING

?

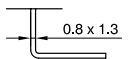
TERMINAL

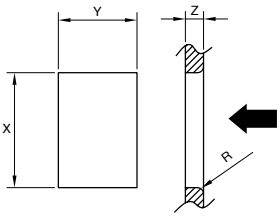


1



C



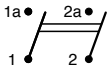


Z	Y	X
0,7 ... 1,25	13,0 ±0,1	19,0 ±0,2
1,25 ... 2,0	13,0 ±0,1	19,3 ±0,2
2,0 ... 3,0	13,0 ±0,1	19,6 ±0,2

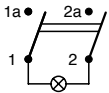
DRAWING TERMINAL	FUNCTION	RATING	BODY COLOUR	ROCKER COLOUR	MARKING COLOUR	MARKING
A	8					
						0 0 0

?	?	?	?	?	?	?	0	0	0
FUNCTION	RATING	BODY COLOUR	ROCKER COLOUR	MARKING COLOUR	MARKING				

2



8



3

10 (4) A / 250 VAC
6 (4) A / 250 VAC - 5E4
T125 °C
EN 61058

10 A - 125 / 250 VAC
1/3 HP - 125 VAC
1/2 HP - 250 VAC
T65 °C
UL 1054
CSA C22.2

1

black

2

white

X

custom

1

black

2

white

8

green

ILLUMINATED

G

red

H

orange

E

green

L

white

X

custom

0

none

1

black

2

white

5

grey

7

light blue

8

red

9

orange

X

custom

0



1



4



6



R



X





GP

TYPICAL APPLICATIONS	Vacuum and steam cleaners
FUNCTIONS	■ DPST, illuminated or not
CYCLE No.	50.000
CUT OUT	19x13 mm
AMBIENT TEMPERATURE	125 °C
GWT	850 °C
GWT NO FLAME (<2sec)	750 °C on demand



G P

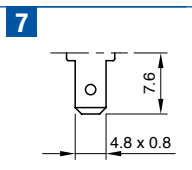
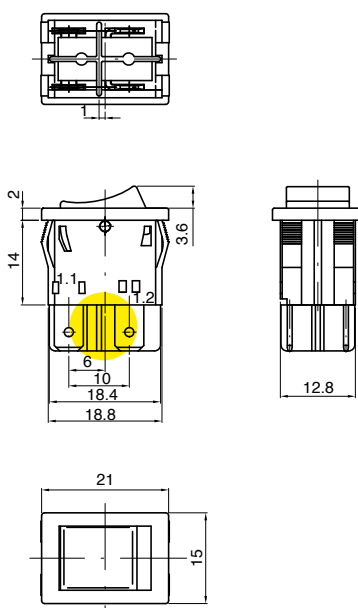
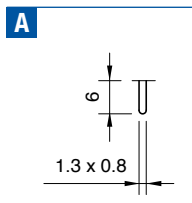
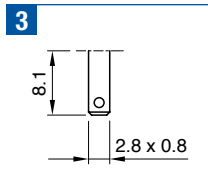
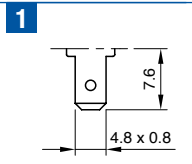
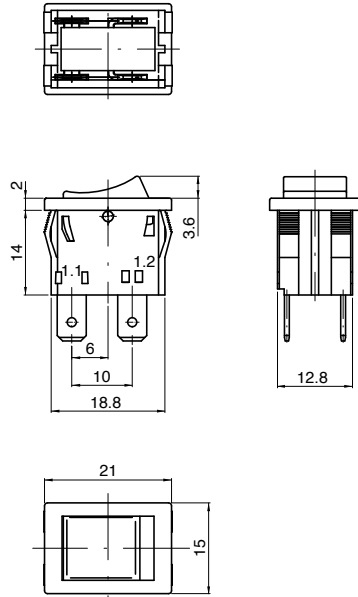
?

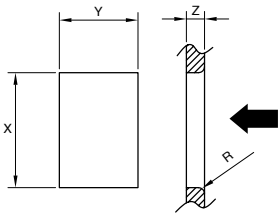
DRAWING

TERMINAL



WATERPROOF CAP



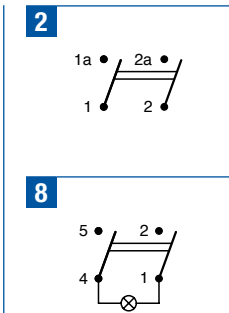


Z	Y	X
0,70 ... 1,25	13,0 ±0,1	19,1 ±0,1
1,25 ... 2,0	13,0 ±0,1	19,4 ±0,1
2,0 ... 3,0	13,0 ±0,1	19,7 ±0,1

TERMINAL	FUNCTION	RATING	BODY COLOUR	ROCKER COLOUR	MARKING COLOUR	MARKING
G	P					
						M 0 0

?	?	?	?	?	?	M 0 0
---	---	---	---	---	---	-------

FUNCTION RATING BODY COLOUR ROCKER COLOUR MARKING COLOUR MARKING



H
 12 A / 250 VAC
 6 (6) A / 250 VAC
 2 / 120 A - 250 VAC
 5 (5) A / 250 VAC - 5E4
 T125/55 °C
 EN 61058

15 A / 125 VAC
 12 A / 250 VAC
 T65 °C
 UL 1054

1
 6 (6) A / 250 VAC
 T125 °C
 EN 61058

- 1** black
- 2** white
- X** custom

- 1** black
- 2** white
- 9** red

ILLUMINATED

- G** red
- E** green
- X** custom

- 0** none
- 1** black
- 2** white
- 8** red
- X** custom

- 0**
- 1**
- 4**
- 6**
- R**
- X**

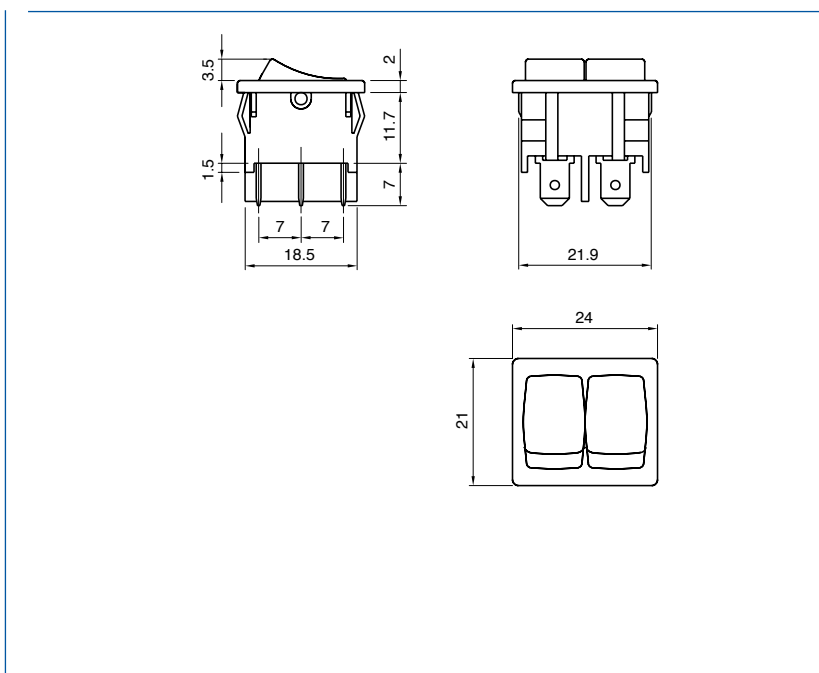


A2

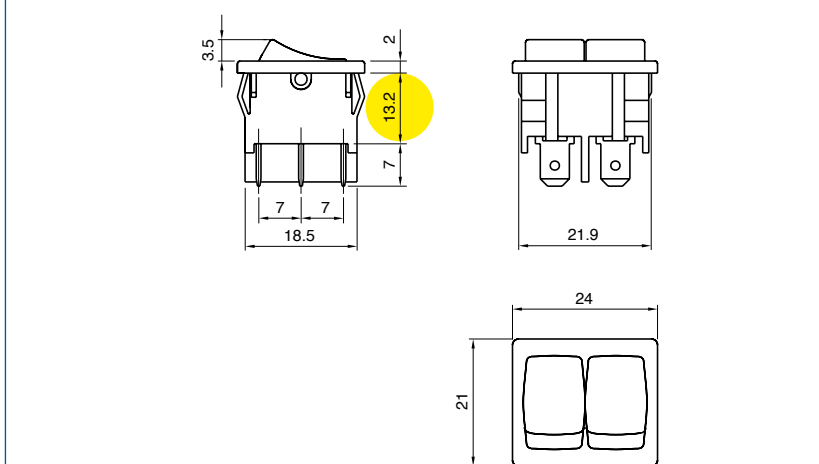
TYPICAL APPLICATIONS	Hairdryers, small appliances
FUNCTIONS	<ul style="list-style-type: none"> ■ Double SPST ■ Double SPDT momentary ■ SPST, illuminated or not + Indicator light ■ SPST + SPCO
CYCLE No.	50.000
CUT OUT	19x22 mm
AMBIENT TEMPERATURE	125 °C
GWT	850 °C
GWT NO FLAME (<2sec)	750 °C on demand



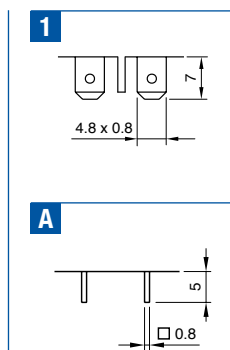
DRAWING

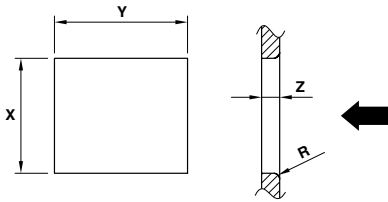


Function K - W



TERMINAL





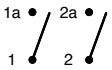
Z	Y	X
0,7 ... 1,25	22,0 ±0,1	19,0 ±0,2
1,25 ... 2,0	22,0 ±0,1	19,3 ±0,2
2,0 ... 3,0	22,0 ±0,1	19,6 ±0,2

TERMINAL	FUNCTION	RATING	BODY COLOUR	ROCKER COLOUR L	ROCKER COLOUR R	MARKING COLOUR	MARKING L	MARKING R
A	2							0 0

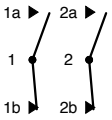
?	?	?	L ? R ?	?	L ? R ?
0	0				

FUNCTION RATING BODY COLOUR ROCKER COLOUR MARKING COLOUR MARKING

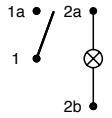
1 Terminal 1



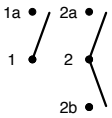
B Terminal 1



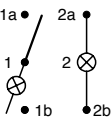
G Terminal 1



K Terminal A



W Terminal 1



2

Function B

6 (2) A / 250 VAC
3 (1) A / 250 VAC - 5E4
T125/55 °C - T125 °C
EN 61058

6 A - 125 / 250 VAC
1/10 HP - 125 VAC
1/6 HP - 250 VAC
T105 °C
UL 1054
CSA C22.2

3

Function 1 - G - W

10 (4) A / 250 VAC
6 (4) A / 250 VAC - 5E4
T125/55 °C - T125 °C
EN 61058

10 A - 125 / 250 VAC
1/3 HP - 125 VAC
1/2 HP - 250 VAC
T105 °C
UL 1054
CSA C22.2

6

Function K

10 (2) A / 250 VAC
6 (1) A / 250 VAC - 5E4
T125/55 °C - T125 °C
µ disconnection
EN 61058

6 A - 125 / 250 VAC
1/8 HP - 125 VAC
1/6 HP - 250 VAC
T105 °C
UL 1054
CSA C22.2

1

black

2

white

X

custom

1

black

2

white

9

red

B

light blue

ILLUMINATED

G

red

H

orange

E

green

L

white

X

custom

0

none

1

black

2

white

5

grey

7

light blue

8

red

9

orange

X

custom

0



1



2



3



4



5



6



8



9



C



F



G



S



R



Z



X





A4

TYPICAL APPLICATIONS Vacuum cleaners, HVAC

- FUNCTIONS**
- SPST, momentary or not
 - DPST, illuminated or not
 - DPCO
 - DPDT, momentary or not

CYCLE No. 50.000

CUT OUT 19x22 mm

AMBIENT TEMPERATURE 125 °C

GWT 850 °C

GWT NO FLAME (<2sec) 750 °C on demand



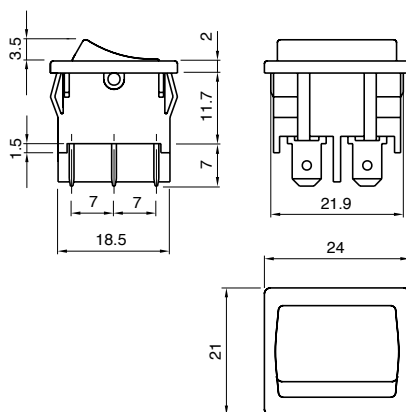
A

4

DRAWING



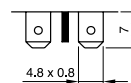
WATERPROOF CAP



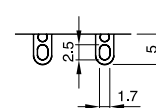
?

TERMINAL

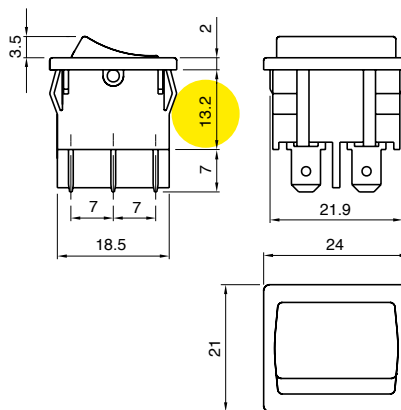
1

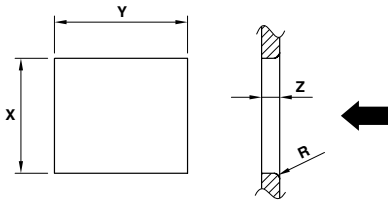


2



Function 9





Z	Y	X
0,7 ... 1,25	22,0 ±0,1	19,0 ±0,2
1,25 ... 2,0	22,0 ±0,1	19,3 ±0,2
2,0 ... 3,0	22,0 ±0,1	19,6 ±0,2

TERMINAL	FUNCTION	RATING	BODY COLOUR	ROCKER COLOUR	MARKING COLOUR	MARKING
A	4					0 0 0

?	?	?	?	?	?	0	0	0
---	---	---	---	---	---	---	---	---

FUNCTION RATING BODY COLOUR ROCKER COLOUR MARKING COLOUR MARKING

1

2

4

8

9

L

M

2

Function 4 - M
6 (2) A / 250 VAC
3 (1) A / 250 VAC - 5E4
T125/55 °C - T125 °C
EN 61058

6 A - 125 / 250 VAC
 1/6 HP - 250 VAC
 1/10 HP - 125 VAC
 T105 °C
 UL 1054
 CSA C22.2

3

Function 1 - 2 - L - 8
10 (4) A / 250 VAC
6 (4) A / 250 VAC - 5E4
T125/55 °C - T125 °C
EN 61058

10 A - 125 / 250 VAC
 1/3 HP - 125 VAC
 1/2 HP - 250 VAC
 T105 °C
 UL 1054
 CSA C22.2

6

Function 9
10 (2) A / 250 VAC
6 (1) A / 250 VAC - 5E4
T125/55 °C - T125 °C
µ disconnection
EN 61058

6 A - 125 / 250 VAC
 1/8 HP - 125 VAC
 1/6 HP - 250 VAC
 T105 °C
 UL 1054
 CSA C22.2

B

Function 2
13 (4) A / 250 VAC
8 (8) A / 250 VAC - 5E4
T125/55 °C - T125 °C
EN 61058

15 A / 125 VAC
 10 A / 250 VAC
 1/3 HP - 125 VAC
 1/2 HP - 250 VAC
 T105 °C
 UL 1054
 CSA C22.2

Function 9
13 (4) A / 250 VAC
6 (4) A / 250 VAC - 5E4
T125/55 °C - T125 °C
µ disconnection
EN 61058

15 A / 125 VAC
 10 A / 250 VAC
 1/3 HP - 125 VAC
 1/2 HP - 250 VAC
 T105 °C
 UL 1054
 CSA C22.2

1 black

2 white

X ? custom

1 black

2 white

ILLUMINATED

G red

H orange

E green

L white

X ? custom

0 none

1 black

2 white

5 grey

7 light blue

8 red

9 orange

X ? custom

0

1

2

3

5

9

C

K

N

Z

X



A4

TYPICAL APPLICATIONS Vacuum cleaners, HVAC

FUNCTIONS ■ DPST, illuminated or not
■ DPDT

CYCLE No. 50.000

CUT OUT 19x22 mm

AMBIENT TEMPERATURE 125 °C

GWT 850 °C

GWT NO FLAME (<2sec) 750 °C on demand



A

4

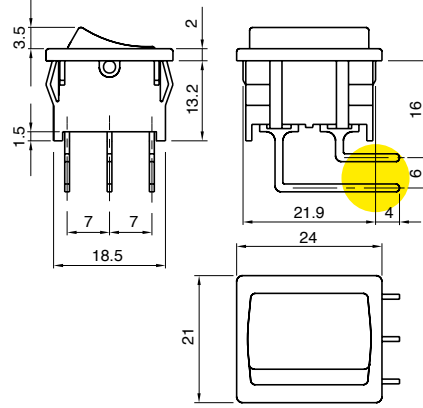
DRAWING

?

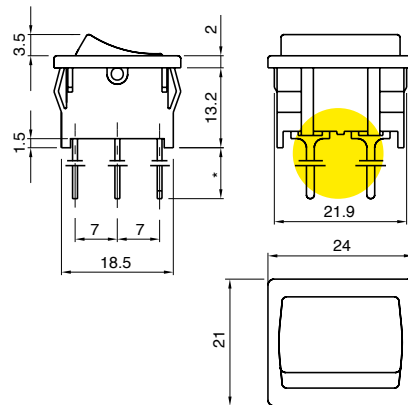
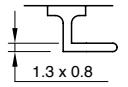
TERMINAL



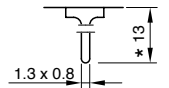
WATERPROOF CAP



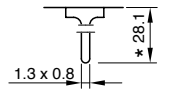
C

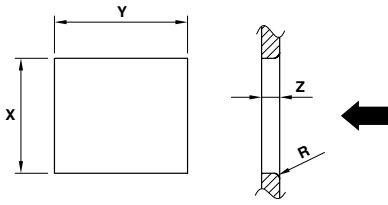


5



6



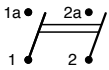


Z	Y	X
0,7 ... 1,25	22,0 ±0,1	19,0 ±0,2
1,25 ... 2,0	22,0 ±0,1	19,3 ±0,2
2,0 ... 3,0	22,0 ±0,1	19,6 ±0,2

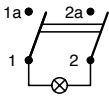
TERMINAL	FUNCTION	RATING	BODY COLOUR	ROCKER COLOUR	MARKING COLOUR	MARKING
A	4					0 0 0

?	?	?	?	?	?	0	0	0
FUNCTION	RATING	BODY COLOUR	ROCKER COLOUR	MARKING COLOUR	MARKING			

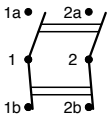
2 Terminal C - 6



8 Terminal C



L Terminal 5



3

10 (4) A / 250 VAC
 6 (4) A / 250 VAC - 5E4
 T125/55 °C - T125 °C
 EN 61058

10 A - 125 / 250 VAC
 1/3 HP - 125 VAC
 1/2 HP - 250 VAC
 T105 °C
 UL 1054
 CSA C22.2

1 black

2 white

X custom

1 black

2 white

ILLUMINATED

G red

H orange

E green

L white

X custom

0 none

1 black

2 white

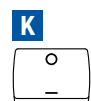
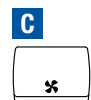
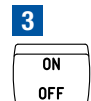
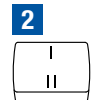
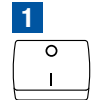
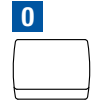
5 grey

7 light blue

8 red

9 orange

X custom





B10

TYPICAL APPLICATIONS Ironing systems

- FUNCTIONS**
- SPST, momentary or not
 - SPDT, momentary or not
 - SPCO

CYCLE No. 50.000

CUT OUT 27x12 mm

AMBIENT TEMPERATURE 120 °C

GWT 850 °C

GWT NO FLAME (<2sec) 750 °C on demand

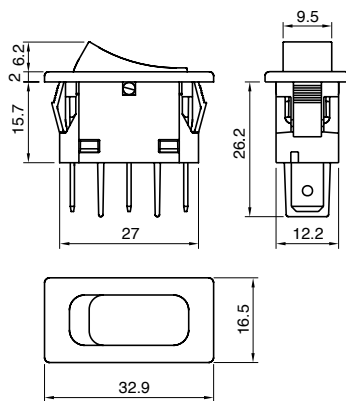


B 1 0

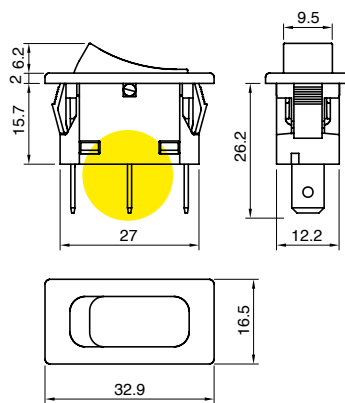
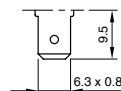
?

DRAWING

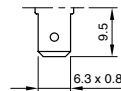
TERMINAL



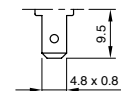
1



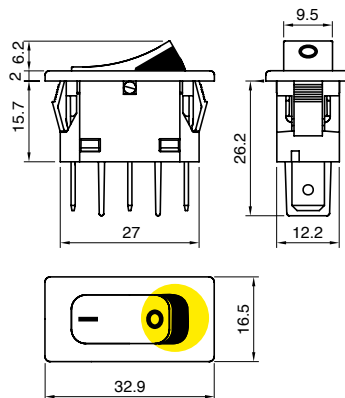
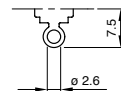
6



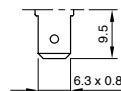
T

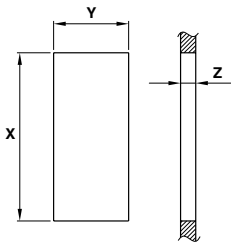


U



3





Z	Y	X
0,75 ... 1,25	12,4	$\begin{matrix} +0,2 \\ 0 \end{matrix}$ 27,4
1,25 ... 2,0	12,4	$\begin{matrix} +0,2 \\ 0 \end{matrix}$ 27,6
2,0 ... 3,0	12,4	$\begin{matrix} +0,2 \\ 0 \end{matrix}$ 27,8

TERMINAL	FUNCTION	RATING	BODY COLOUR	ROCKER COLOUR	MARKING COLOUR	MARKING
B	1	0				
						0 0 0

?	?	?	?	?	?	?	0	0	0
---	---	---	---	---	---	---	---	---	---

FUNCTION RATING BODY COLOUR ROCKER COLOUR MARKING COLOUR MARKING

1

3 Terminal 1 - 6 - U

4 Terminal 1 - 6 - U

5 Terminal 1 - 6 - U

A Terminal 1 - 6 - U

B Terminal 1 - 6 - U

1

Function 1

4 (1) A / 250 VAC
 2 (0.5) A / 250 VAC - 5E4
 T120/55 °C
 EN 61058

C

Terminal 1 - 6 - U - 3

16 (6) A / 250 VAC
 10 (4) A / 250 VAC - 5E4
 T120/55 °C
 EN 61058

20 A / 125 VAC
 16 A / 250 VAC
 1/3 HP - 125 VAC
 3/4 HP - 250 VAC
 T105 °C
 UL 1054
 CSA C22.2

1 black

2 white

X ? custom

1 black

2 white

9 red

X ? custom

0 none

1 black

2 white

5 grey

7 light blue

8 red

9 orange

X ? custom

0

1

2

9

A

N

X ?

Terminal 3 side and marking

8 green

Terminal 3 from mould

1



SX81

TYPICAL APPLICATIONS Refrigerators, electromedical appliances
coffee machines, gardening equipments

FUNCTIONS

- SPST, momentary or not
- SPST illuminated
- SPDT
- SPCO

CYCLE No. 50.000

CUT OUT 30x11 mm

AMBIENT TEMPERATURE 125 °C

GWT 850 °C

GWT NO FLAME (<2sec) 750 °C on demand

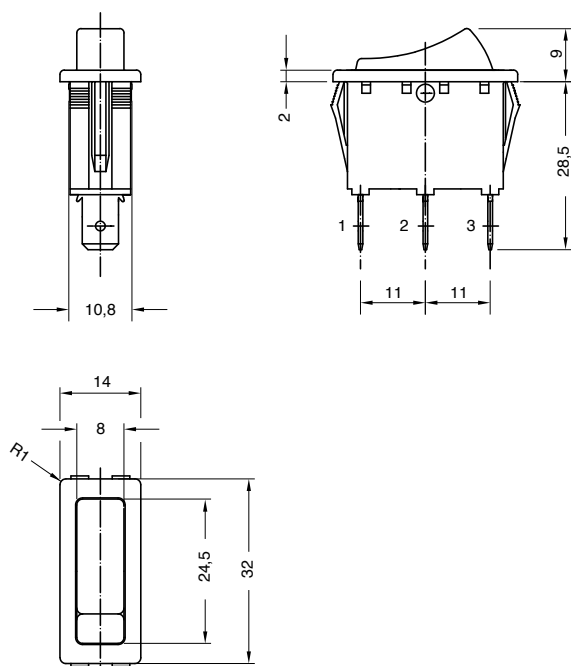


S X 8 1 ?

DRAWING



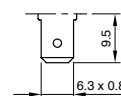
WATERPROOF CAP



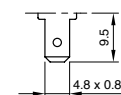
?

TERMINAL

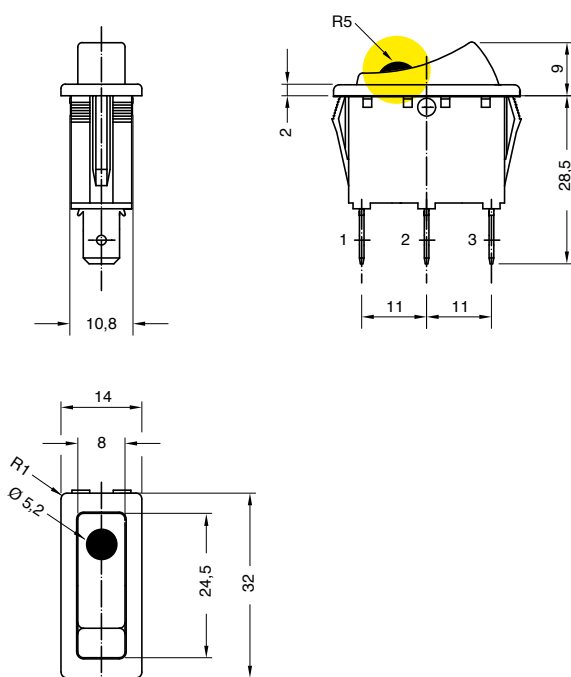
1

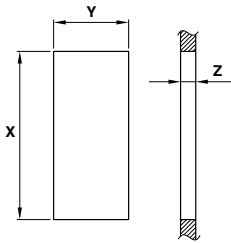


2



3





	Z	Y	X
PLASTIC	0,7 ... 3,5	11,0 ±0,1	30,0 ^{+0,2} ₀
METAL	0,7 ... 2,5	11,0 ±0,1	30,2 ^{+0,2} ₀

S	X	8	1								0	0	0
---	---	---	---	--	--	--	--	--	--	--	---	---	---

?	?	?	?	?	?	?	?	?	?	?	?	?	?
FUNCTION	RATING	BODY COLOUR	ROCKER COLOUR	MARKING COLOUR	MARKING	LENS COLOUR							

?	0	0	0
?	0	0	0
LENS COLOUR			

1

3

4

5

6

8

Function 1
 20 (2) A / 250 VAC *
 16 (8) A / 250 VAC
 10 (4) A / 400 VAC
 10 (6) A / 250 VAC - 5E4
 T125/55 °C
 EN 61058

20 A / 125 VAC
 16 A / 250 VAC
 3/4 HP - 125 / 250 VAC
 T105 °C
 UL 1054

Function 3 - 4 - B
 16 (6) A / 250 VAC
 10 (4) A / 400 VAC
 10 (4) A / 250 VAC - 5E4
 T125/55 °C
 EN 61058

20 A / 125 VAC
 16 A / 250 VAC
 3/4 HP - 125 / 250 VAC
 T105 °C
 UL 1054

Function 5
 16 (6) A / 250 VAC
 10 (4) A / 250 VAC - 5E4
 T125/55 °C
 EN 61058

16 A - 125 / 250 VAC
 3/4 HP - 125 / 250 VAC
 T105 °C
 UL 1054

Function 6
 20 (2) A / 250 VAC *
 16 (8) A / 250 VAC
 10 (6) A / 250 VAC - 5E4
 T125/55 °C
 EN 61058

20 A / 125 VAC
 16 A / 250 VAC
 3/4 HP - 125 / 250 VAC
 T105 °C
 UL 1054

* Not available with terminal 2

1 black

2 white

X custom

1 black

2 white

9 red

ILLUMINATED

G red

H orange

E green

X custom

0 none

1 black

2 white

X custom

0

1

2

6

A

C

N

X

0 none

ILLUMINATED

G red

H orange

E green

X custom



SX8A

TYPICAL APPLICATIONS Small appliances

FUNCTIONS ■ SPST, illuminated or not

CYCLE No. 50.000

CUT OUT 28,2x14 mm

AMBIENT TEMPERATURE 125 °C

GWT 850 °C

GWT NO FLAME (<2sec) 750 °C on demand



S

X

8

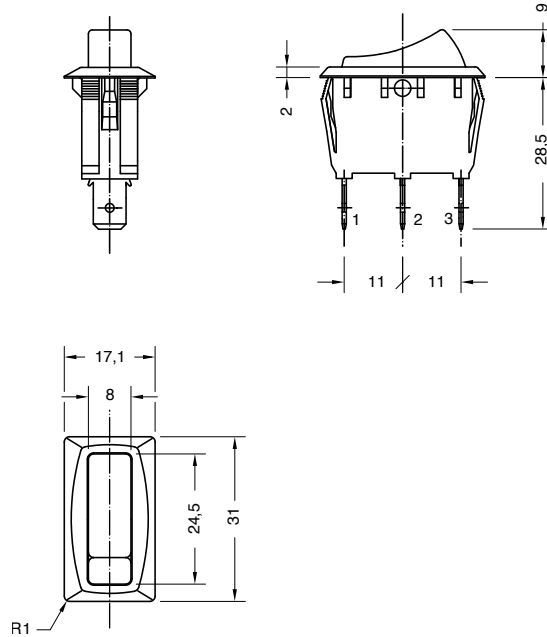
A

?

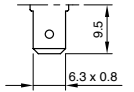
?

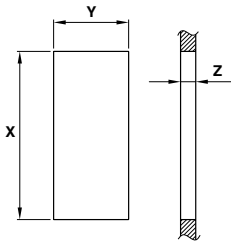
DRAWING

1



1





US cut out

Z	Y	X
0,7	14,0 ±0,1	28,2 ±0,1

S	X	8	A	DRAWING	TERMINAL	FUNCTION	RATING	BODY COLOUR	ROCKER COLOUR	MARKING COLOUR	MARKING	0	0	0	0

?	?	?	?	?	?	0	0	0	0
FUNCTION	RATING	BODY COLOUR	ROCKER COLOUR	MARKING COLOUR	MARKING				

1

6

?

Other function available on demand

8

Function 1

20 (2) A / 250 VAC
 16 (8) A / 250 VAC
 10 (6) A / 250 VAC - 5E4
 10 (4) A / 400 VAC
 T125/55 °C
 EN 61058

20 A / 125 VAC
 3/4 HP - 125 VAC
 16 A / 250 VAC
 3/4 HP - 250 VAC
 T105 °C
 UL 1054

Function 6

20 (2) A / 250 VAC
 16 (8) A / 250 VAC
 10 (6) A / 250 VAC - 5E4
 T125/55 °C
 EN 61058

20 A / 125 VAC
 3/4 HP - 125 VAC
 16 A / 250 VAC
 3/4 HP - 250 VAC
 T105 °C
 UL 1054

B

Function 6

20 (2) A / 250 VAC
 16 (8) A / 250 VAC
 10 (6) A / 250 VAC - 5E4
 T125/55 °C
 EN 61058

16 A / 250 VAC
 3/4 HP - 250 VAC
 T105 °C
 UL 1054

1 black

2 white

X **?** custom

1 black

2 white

9 red

ILLUMINATED

G red

H orange

E green

X **?** custom

0 none

1 black

2 white

X **?** custom

0

1

2

6

C

N

X **?**

0	0	0	0
---	---	---	---



SX82



TYPICAL APPLICATIONS

Coffee machines, refrigerators, ironing steam generators, medical appliances, vacuum cleaners, power inlet

FUNCTIONS

- SPST, illuminated or not
- DPST, momentary or not
- DPST, illuminated or not
- DPCO
- DPDT

CYCLE No. 50.000

CUT OUT 30x22 mm

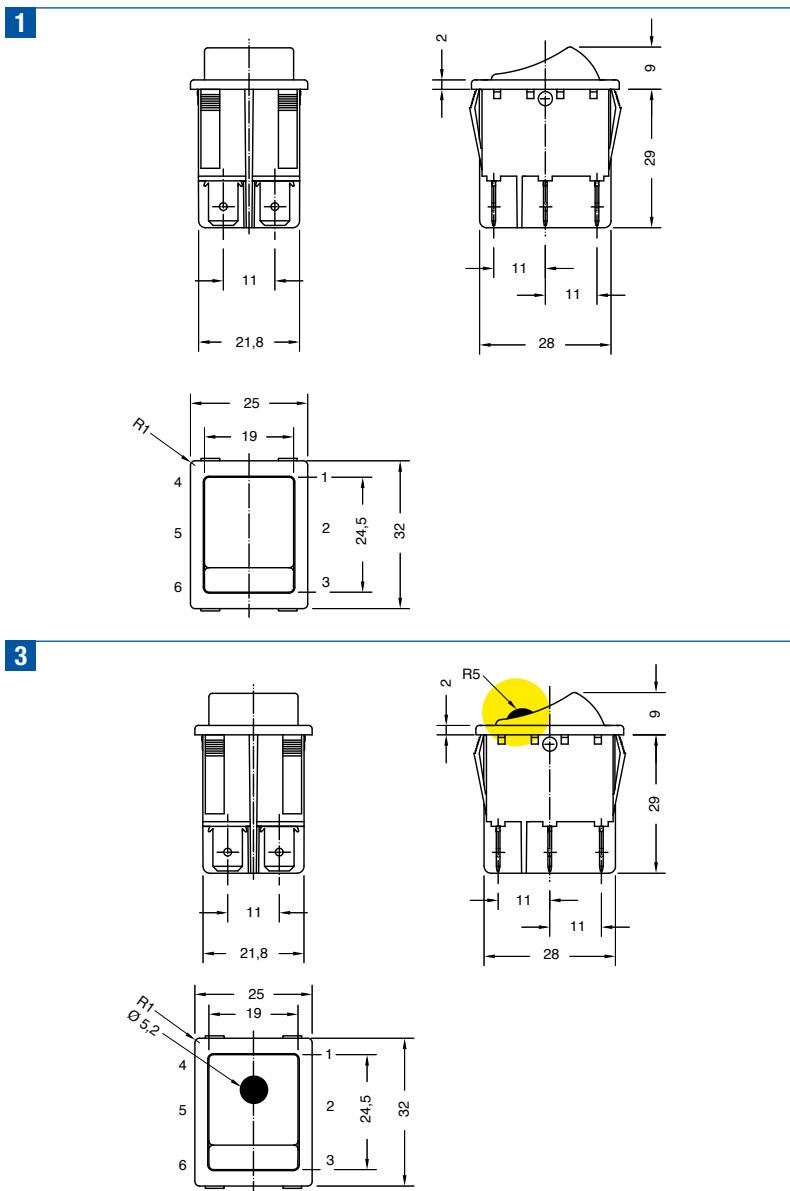
AMBIENT TEMPERATURE 125 °C

GWT 850 °C

GWT NO FLAME (<2sec) 750 °C on demand

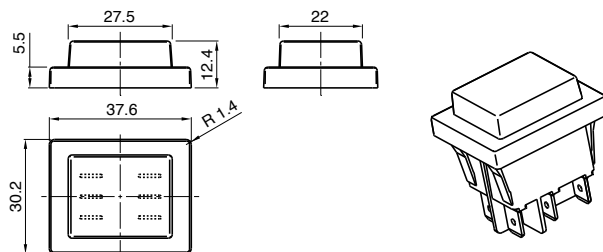
S X 8 2 ?

DRAWING



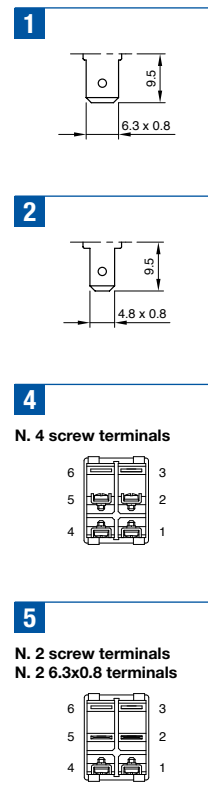
P (1 + waterproof cap mounted)

Q (3 + waterproof cap mounted)

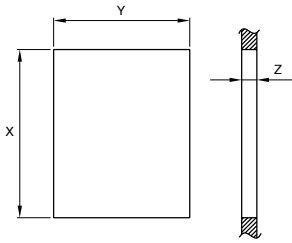


?

TERMINAL



WATERPROOF CAP



		Z	Y	X
STANDARD	PLASTIC	0,7 ... 3,5	22 ±0,1	30 +0,2 0
WATERPROOF CAP VERSION	METAL	0,7 ... 2,5	22 ±0,1	30,2 +0,2 0

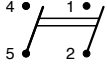
S	X	8	2	DRAWING	TERMINAL	FUNCTION	RATING	BODY COLOUR	ROCKER COLOUR	MARKING COLOUR	MARKING	LENS COLOUR	0	0	0

?	?	?	?	?	?	?	?	0	0	0
FUNCTION	RATING	BODY COLOUR	ROCKER COLOUR	MARKING COLOUR	MARKING	LENS COLOUR				

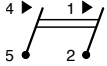
1 Terminal 1 - 2



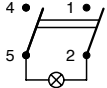
2



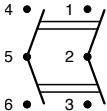
7 Terminal 1



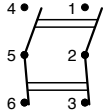
8



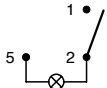
9 Terminal 1



L Terminal 1



W Terminal 1



8

Function 1 - 2

20 (2) A / 250 VAC *
16 (8) A / 250 VAC
10 (6) A / 250 VAC - 5E4
10 (4) A / 400 VAC
T125/55 °C
EN 61058

20 A / 125 VAC
16 A / 250 VAC
3/4 HP - 125 / 250 VAC
T105 °C
UL 1054

Function 7 - L

16 (6) A / 250 VAC
10 (4) A / 250 VAC
10 (4) A / 250 VAC - 5E4
T125/55 °C
EN 61058

20 A / 125 VAC
16 A / 250 VAC
3/4 HP - 125 / 250 VAC
T105 °C
UL 1054

Function 8 - W

20 (2) A / 250 VAC *
16 (8) A / 250 VAC
10 (6) A / 250 VAC - 5E4
T125/55 °C
EN 61058

20 A / 125 VAC
16 A / 250 VAC
3/4 HP - 125 / 250 VAC
T105 °C
UL 1054

Function 9

16 (6) A / 250 VAC
10 (4) A / 250 VAC - 5E4
T125/55 °C
EN 61058

16 A / 125 VAC
16 A / 250 VAC
3/4 HP - 125 / 250 VAC
T105 °C
UL 1054

B

Function 8 - W

20 (2) A / 250 VAC *
16 (8) A / 250 VAC
10 (6) A / 250 VAC - 5E4
T125/55 °C
EN 61058

16 A / 250 VAC
3/4 HP - 250 VAC
T105 °C
UL 1054

* Not available for terminal 2

1

black

2

white

X

custom

1

black

2

white

ILLUMINATED

G

red

H

orange

E

green

L

white

F

blue

X

custom

1

black

2

white

0

none

X

custom

1



2



6



9



A



C



D



N



0



X



0

none

ILLUMINATED

G

red

H

orange

E

green

X

custom



SX83



TYPICAL APPLICATIONS Small appliances

FUNCTIONS

- Double SPST, illuminated or not
- Double SPDT
- SPST, illuminated or not + Indicator light
- SPST + SPCO

CYCLE No. 50.000

CUT OUT 30x22 mm

AMBIENT TEMPERATURE 125 °C

GWT 850 °C

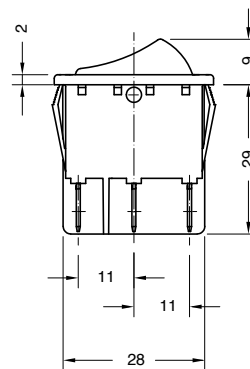
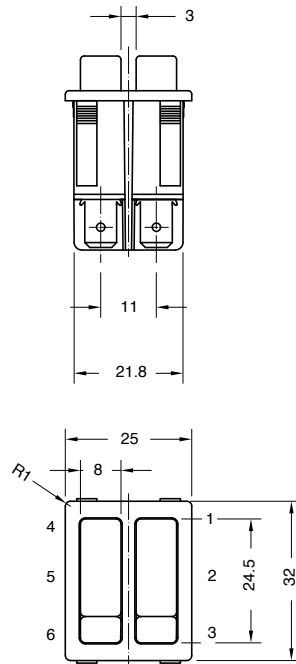
GWT NO FLAME (<2sec) 750 °C on demand

S X 8 3

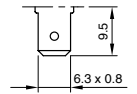
DRAWING

?

TERMINAL

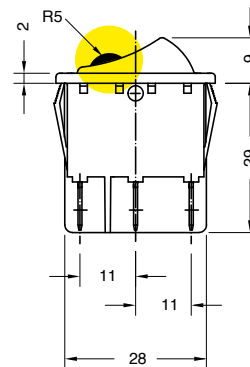
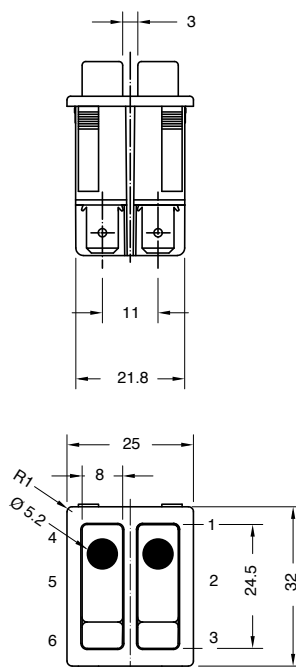


1

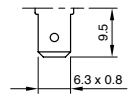


P

(1 + waterproof cap mounted)

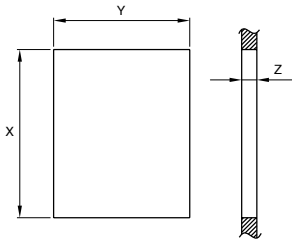


3



Q

(3 + waterproof cap mounted)



	Z	Y	X
PLASTIC	0,7 ... 3,5	22 ±0,1	30 +0,2 0
METAL	0,7 ... 2,5	22 ±0,1	30,2 +0,2 0

TERMINAL	FUNCTION	RATING	BODY COLOUR	ROCKER COLOUR L	ROCKER COLOUR R	MARKING COLOUR	MARKING L	MARKING R	LENS COLOUR
S	X	8	3						

FUNCTION	RATING	BODY COLOUR	ROCKER COLOUR	MARKING COLOUR	MARKING	LENS COLOUR
?	?	?	L ? R ?	?	L ? R ?	?

0	0
---	---

1

8

Function 1
 20 (2) A / 250 VAC
 16 (8) A / 250 VAC
 10 (4) A / 400 VAC
 10 (6) A / 250 VAC - 5E4
 T125/55 °C
 EN 61058

1 black

2 white

X custom

1 black

2 white

0 none

1 black

2 white

X custom

0

0 none

ILLUMINATED

3

20 A / 125 VAC
 16 A / 250 VAC
 3/4 HP - 125 / 250 VAC
 T105 °C
 UL 1054

X custom

ILLUMINATED

G red

1 black

2 white

X custom

1

G red

6

Function 3
 16 (8) A / 250 VAC
 10 (4) A / 400 VAC
 10 (6) A / 250 VAC - 5E4
 T125/55 °C
 EN 61058

ILLUMINATED

H orange

E green

H orange

E green

X custom

4

H orange

F

20 A / 125 VAC
 16 A / 250 VAC
 3/4 HP - 125 / 250 VAC
 T105 °C
 UL 1054

X custom

X custom

D

E green

K

Function W - 6
 20 (2) A / 250 VAC
 16 (8) A / 250 VAC
 10 (6) A / 250 VAC - 5E4
 T125/55 °C
 EN 61058

X custom

X custom

E

X custom

R

Function R
 20 (2) A / 250 VAC
 16 (8) A / 250 VAC
 10 (6) A / 250 VAC - 5E4
 T125/55 °C
 EN 61058

X custom

X custom

H

X custom

W

Function 6 - F
 20 (2) A / 250 VAC
 16 (8) A / 250 VAC
 10 (6) A / 250 VAC - 5E4
 T125/55 °C
 EN 61058

X custom

X custom

N

X custom

16 A / 250 VAC
 3/4 HP - 250 VAC
 T105 °C
 UL 1054

X custom

X custom

X

Function K
 16 (6) A / 250 VAC
 10 (4) A / 250 VAC - 5E4
 T125/55 °C
 EN 61058

X custom

X custom

X custom



SXD1

TYPICAL APPLICATIONS Coffee makers, electric fryers, crêpes machines, ironing steam generators

FUNCTIONS

- SPST, momentary or not
- SPST, illuminated or not version with led light available

CYCLE No. 50.000

CUT OUT See drawing

AMBIENT TEMPERATURE 125 °C

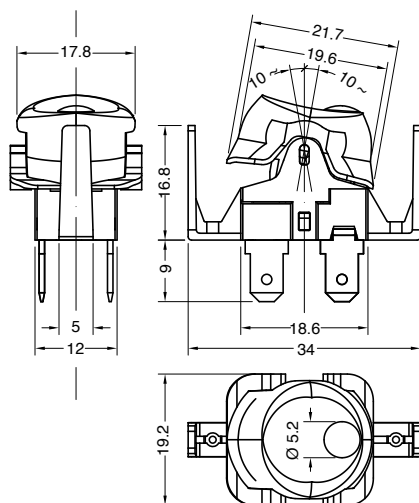
GWT 850 °C

GWT NO FLAME (<2sec) 750 °C on demand

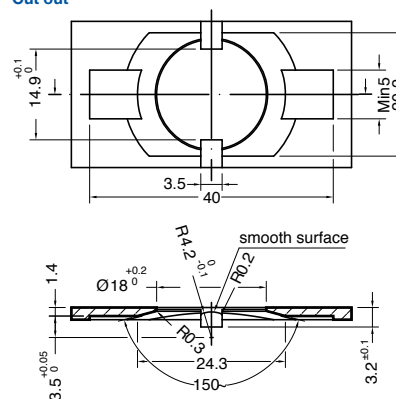


S X D 1 ?

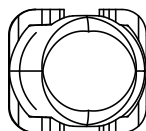
DRAWING



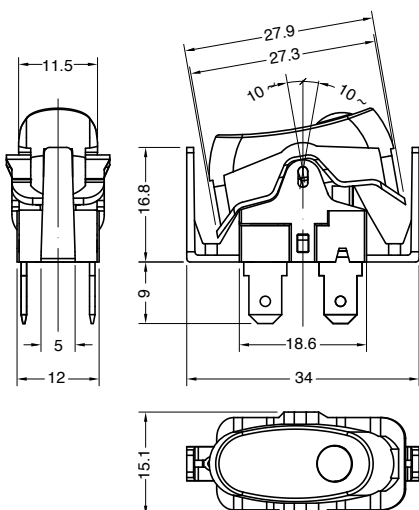
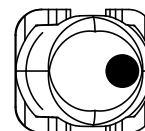
Cut out



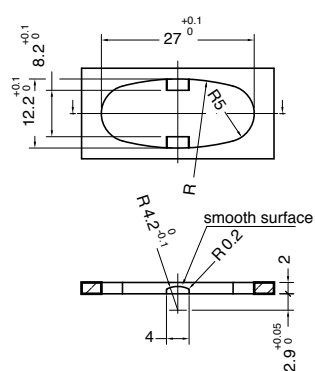
1



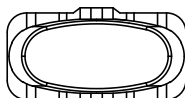
2



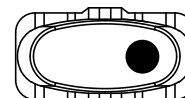
Cut out



3



4

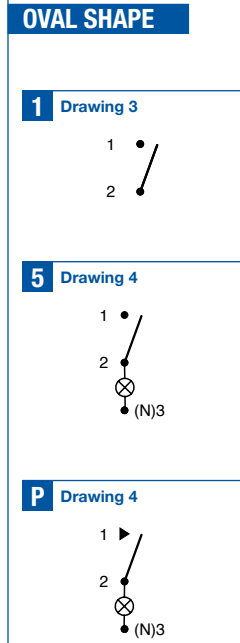
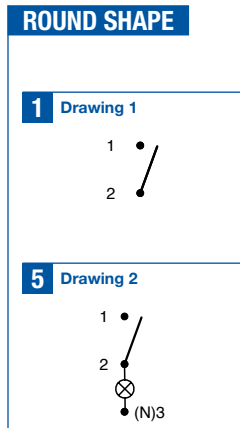
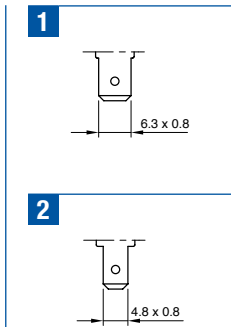


C

Custom rocker shape

	DRAWING	TERMINAL	FUNCTION	RATING	ROCKER COLOUR	LENS COLOUR	CUSTOM SHAPE			
S	X	D	1					0	0	0

?	?	?	?	?	?	?	?	0	0	0
TERMINAL	FUNCTION	RATING	ROCKER COLOUR	LENS COLOUR	CUSTOM SHAPE					



A

Function 1-5
16 (4) A / 250 VAC
10 (8) A / 250 VAC - 5E4
T125/55 °C
EN 61058

Function P
12 (6) A / 250 VAC
8 (4) A / 250 VAC - 5E4
T125/55 °C
EN 61058

B

Function 1-5
 16 A / 125 VAC
 1 HP / 125 VAC
 T105 °C
 UL 1054

C

Function 1-5
16 (4) A / 250 VAC
T125/55 °C
EN 61058

16 A 125 / 250 VAC
 1 HP 125 / 250 VAC
 T105 °C
 UL 1054

Function P
12 (6) A / 250 VAC
T125/55 °C
EN 61058

12 A 125 / 250 VAC
 1/2 HP 125 / 250 VAC
 T105 °C
 UL 1054

E

Function 1-5
 16 A / 250 VAC
 1 HP / 250 VAC
 T105 °C
 UL 1054

1 black

2 white

X custom

0 none

ILLUMINATED ✨

G red

H orange

L white

E green

X custom

0 none

X custom



- Headquarter
- Production Site
- Sales Network



Everel Group S.P.A.

[Headquarter - Production Site]
Via Cavour, 9
37067 Valeggio sul Mincio (VR) - Italy
tel. +39 045 6313711
fax +39 045 6313730

Dreefs GmbH

[Production Site]
Ernst-Dreefs-Straße 7
96364 Marktrodach - Germany
tel. +49 9261 9610
fax +49 9261 961248

Everel Romania S.r.l.

[Production Site]
Calea Timisorii 109
Lipova - Arad - Romania
tel. +40 257 563087
fax +40 257 563086

www.everelgroup.com

